

Service
Service
Service



Service Manual



TABLE OF CONTENTS

Handling chip components 1-1
 Leadfree and safety information 1-2

Technical specification 2-1
 Service tools 2-1
 Service measurement setup 2-2

Connections and controls..... 3-1...3-2
 Dismantling instructions 4-1...4-3

Block diagram..... 5-1
 Wiring diagram 6-1

Main Board
 circuit diagram..... 7-1...7-2
 layout diagram..... 7-3...7-4

C Music Board
 circuit diagram..... 8-1...8-2
 layout diagram..... 8-3...8-4

VFD Board
 circuit diagram..... 9-1
 layout diagram..... 9-2

Cassette Board
 circuit diagram..... 10-1
 layout diagram 10-2

Tuner Board
 circuit diagram..... 11-1
 layout diagram..... 11-2

Rectifier Board
 circuit diagram..... 12-1
 layout diagram..... 12-2

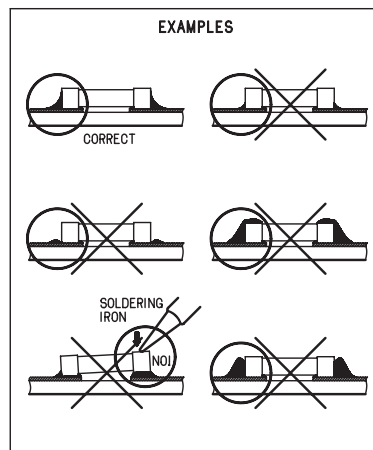
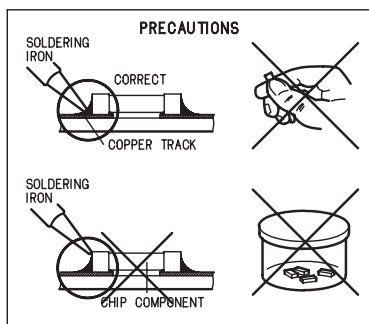
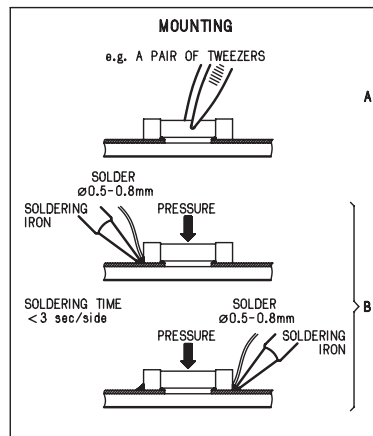
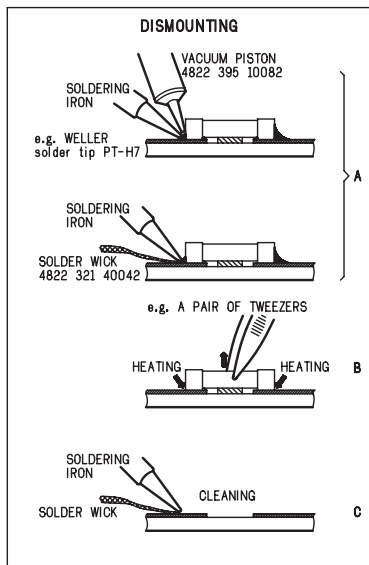
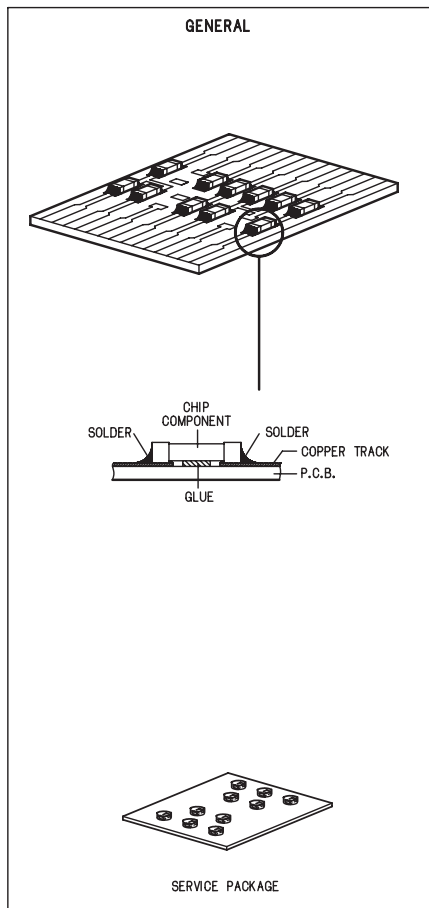
Exploded view diagram 13-1
 Mechanical partslist..... 13-2

Electrical partslist 14-1...14-5
 Supplier Bomlist

© Copyright 2007 Philips Consumer Electronics B.V. Eindhoven, The Netherlands
 All rights reserved. No part of this publication may be reproduced, stored in a retrieval system or transmitted, in any form or by any means, electronic, mechanical, photocopying, or otherwise without the prior permission of Philips.



HANDLING CHIP COMPONENTS



(GB) WARNING

All ICs and many other semiconductors are susceptible to electrostatic discharges (ESD). Careless handling during repair can reduce life drastically. When repairing, make sure that you are connected with the same potential as the mass of the set via a wristband with resistance. Keep components and tools at this potential.



(NL) WAARSCHUWING

Alle IC's en vele andere halfgeleiders zijn gevoelig voor electrostatische ontladingen (ESD). Onzorgvuldig behandelen tijdens reparatie kan de levensduur drastisch doen verminderen. Zorg ervoor dat u tijdens reparatie via een polsband met weerstand verbonden bent met hetzelfde potentiaal als de massa van het apparaat. Houd componenten en hulpmiddelen ook op ditzelfde potentiaal.

(F) ATTENTION

Tous les IC et beaucoup d'autres semi-conducteurs sont sensibles aux décharges statiques (ESD). Leur longévité pourrait être considérablement écourtée par le fait qu'aucune précaution n'est prise à leur manipulation. Lors de réparations, s'assurer de bien être relié au même potentiel que la masse de l'appareil et enfilez le bracelet sertit d'une résistance de sécurité. Veiller à ce que les composants ainsi que les outils que l'on utilise soient également à ce potentiel.

(D) WARNUNG

Alle ICs und viele andere Halbleiter sind empfindlich gegenüber elektrostatischen Entladungen (ESD). Unvorsichtige Behandlung im Reparaturfall kann die Lebensdauer drastisch reduzieren. Sorgen Sie dafür, daß Sie im Reparaturfall über ein Pulsarmband mit Widerstand mit dem Massepotential des Gerätes verbunden sind. Halten Sie Bauteile und Hilfsmittel ebenfalls auf diesem Potential.

(I) AVVERTIMENTO

Tutti IC e parecchi semi-conduttori sono sensibili alle scariche statiche (ESD). La loro longevità potrebbe essere fortemente ridotta in caso di non osservazione della più grande cauzione alla loro manipolazione. Durante le riparazioni occorre quindi essere collegato allo stesso potenziale che quello della massa dell'apparecchio tramite un bracciale a resistenza. Assicurarci che i componenti e anche gli utensili con quali si lavora siano anche a questo potenziale.

(GB)

Safety regulations require that the set be restored to its original condition and that parts which are identical with those specified be used. Safety components are marked by the symbol

(F)

Les normes de sécurité exigent que l'appareil soit remis à l'état d'origine et que soient utilisées les pièces de rechange identiques à celles spécifiées. Les composants de sécurité sont marqués

SAFETY



(D)

Bei jeder Reparatur sind die geltenden Sicherheitsvorschriften zu beachten. Der Originalzustand des Gerätes darf nicht verändert werden. Für Reparaturen sind Originalersatzteile zu verwenden. Sicherheitsbauteile sind durch das Symbol markiert.

(NL)

Veiligheidsbepalingen vereisen, dat het apparaat in zijn oorspronkelijke toestand wordt teruggebracht en dat onderdelen, identiek aan de gespecificeerde, worden toegepast. De Veiligheidsonderdelen zijn aangeduid met het symbool

(I)

Le norme di sicurezza estigono che l'apparecchio venga rimesso nelle condizioni originali e che siano utilizzati i pezzi di ricambio identici a quelli specificati. Componenti di sicurezza sono marcati con

(GB) DANGER: Invisible laser radiation when open. AVOID DIRECT EXPOSURE TO BEAM.

(S) Varning!
Osynlig laserstrålning när apparaten är öppnad och spårren är urkopplad. Betrakta ej strålen.

(DK) Advarsel!
Usynlig laserstrålning ved åbning når sikkerhedsafbrydere er ude af funktion. Undgå udsættelse for stråling.



(FIN) Varoitus!
Avatussa laitteessa ja suojalukituksen ohitettaessa olet alltiina näkymättömälle laserisäteilylle. Älä katso säteeseen!

(GB)
After servicing and before returning the set to customer perform a leakage current measurement test from all exposed metal parts to earth ground, to assure no shock hazard exists. The leakage current must not exceed 0.5mA.

(F)
"Pour votre sécurité, ces documents doivent être utilisés par des spécialistes agréés, seuls habilités à réparer votre appareil en panne".

INFORMATION ABOUT LEAD-FREE SOLDERING

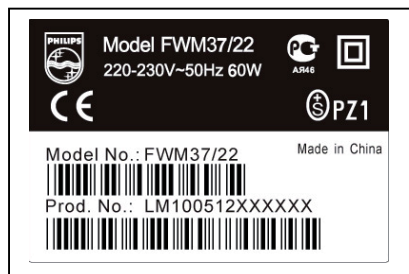
Philips CE is producing lead-free sets from 1.1.2005 onwards.

IDENTIFICATION:

Regardless of special logo (not always indicated) one must treat all sets from 1 Jan 2005 onwards, according next rules:



Example S/N:



Bottom line of typeplate gives a 14-digit S/N. Digit 5&6 is the year, digit 7&8 is the week number, so in this case 2005 wk12

So from 0501 onwards = from 1 Jan 2005 onwards

Important note: In fact also products of year 2004 must be treated in this way as long as you avoid mixing solder-alloys (lead/ lead-free). So best to always use SAC305 and the higher temperatures belong to this.

Due to lead-free technology some rules have to be respected by the workshop during a repair:

- Use only lead-free solder alloy Philips SAC305 with order code 0622 149 00106. If lead-free solder-paste is required, please contact the manufacturer of your solder-equipment. In general use of solder-paste within workshops should be avoided because paste is not easy to store and to handle.
- Use only adequate solder tools applicable for lead-free solder alloy. The solder tool must be able
 - To reach at least a solder-temperature of 400°C,
 - To stabilize the adjusted temperature at the solder-tip
 - To exchange solder-tips for different applications.
- Adjust your solder tool so that a temperature around 360°C – 380°C is reached and stabilized at the solder joint. Heating-time of the solder-joint should not exceed ~ 4 sec. Avoid temperatures above 400°C otherwise wear-out of tips will rise drastically and flux-fluid will be destroyed. To avoid wear-out of tips switch off un-used equipment, or reduce heat.
- Mix of lead-free solder alloy / parts with leaded solder alloy / parts is possible but PHILIPS recommends strongly to avoid mixed solder alloy types (leaded and lead-free).
If one cannot avoid or does not know whether product is lead-free, clean carefully the solder-joint from old solder alloy and re-solder with new solder alloy (SAC305).
- Use only original spare-parts listed in the Service-Manuals. Not listed standard-material (commodities) has to be purchased at external companies.
- **Special information for BGA-ICs:**
 - always use the 12nc-recognizable soldering temperature profile of the specific BGA (for de-soldering always use the lead-free temperature profile, in case of doubt)
 - lead free BGA-ICs will be delivered in so-called 'dry-packaging' (sealed pack including a silica gel pack) to protect the IC against moisture. After opening, dependent of MSL-level seen on indicator-label in the bag, the BGA-IC possibly still has to be baked dry. (MSL=Moisture Sensitivity Level). This will be communicated via AYS-website.
Do not re-use BGAs at all.
- For sets produced before 1.1.2005 (except products of 2004), containing leaded solder-alloy and components, all needed spare-parts will be available till the end of the service-period. For repair of such sets nothing changes.
- On our website www.atyourservice.ce.Philips.com you find more information to:
 - BGA-de-/soldering (+ baking instructions)
 - Heating-profiles of BGAs and other ICs used in Philips-sets

You will find this and more technical information within the "magazine", chapter "workshop news".

For additional questions please contact your local repair-helpdesk.

SERVICE INSTRUCTION

Safety regulations require that after a repair, the set must be returned in its original condition. Pay in particular attention to the following points:

- Route the wire trees correctly and fix them with the mounted cable clamps.
- Check the insulation of the AC Power lead for external damage.
- Check the strain relief of the AC Power cord for proper function.
- Check the electrical DC resistance between the AC Power Plug and the secondary side (only for sets which have a AC Power isolated power supply):
 1. Unplug the AC Power cord and connect a wire between the two pins of the AC Power plug.
 2. Set the AC Power switch to the "on" position (keep the AC Power cord unplugged!).
 3. Measure the resistance value between the pins of the AC Power plug and the metal shielding of the tuner or the aerial connection on the set. The reading should be larger than 4.5 Mohm (For U.S. it should be between 4.2 Mohm and 12 Mohm).
 4. Switch "off" the set, and remove the wire between the two pins of the AC Power plug.
- Check the cabinet for defects, to avoid touching of any inner parts by the customer.

TECHNICAL SPECIFICATIONS

AMPLIFIER

Output power 2 x 50 W RMS*
 Signal-to-noise ratio ≥ 62 dBA (IEC)
 Frequency response 40 – 15000 Hz, ± 3 dB
 Impedance loudspeakers 6 Ω
 Impedance headphones 32 Ω
 * (4 Ω , 1 kHz, 10% THD)

CD/MP3-CD PLAYER

Number of programmable tracks 20
 Frequency range 20 – 20000 Hz
 Signal-to-noise ratio 75 dBA
 Channel separation ≥ 60 dB (1 kHz)
 Total harmonic distortion $< 0.003\%$
 MPEG 1 Layer 3 (MP3-CD) MPEG AUDIO
 MP3-CD bit rate 32-256 kbps
 (128 kbps advised)
 Sampling frequencies 32, 44.1, 48 kHz

USB PLAYER

USB 12Mb/s, V1.1
 support MP3 and WMA files
 Number of albums/folders maximum 99
 Number of tracks/titles maximum 500

TUNER

FM wave range 87.5 – 108 MHz
 LW wave range 153 – 279 kHz
 MW wave range 531 – 1602 kHz
 Sensitivity at 75 Ω
 – mono, 26 dB signal-to-noise ratio 2.8 μ V
 – stereo, 46 dB signal-to-noise ratio 61.4 μ V
 Selectivity ≥ 28 dB
 Total harmonic distortion $\leq 5\%$
 Frequency response 63 – 12500 Hz (± 3 dB)
 Signal-to-noise-ratio ≥ 50 dBA

TAPE DECK

Frequency response
 Normal tape (type I) 80 – 12500 Hz (8 dB)
 Signal-to-noise ratio
 Normal tape (type I) 50 dBA
 Wow and flutter $\leq 0.4\%$ DIN

SPEAKERS

2-way Bass reflex system
 Dimensions (w x h x d) .. 175 x 252 x 215 (mm)

GENERAL INFORMATION

AC Power 220 – 230 V / 50 Hz
 Dimensions (w x h x d) .. 175 x 252 x 360 (mm)
 Weight (with/without speakers)
 approx. 10.37/5.09 kg
 Eco Power Standby < 1 W

Specifications and external appearance are subject to change without notice.

SERVICE TOOLS

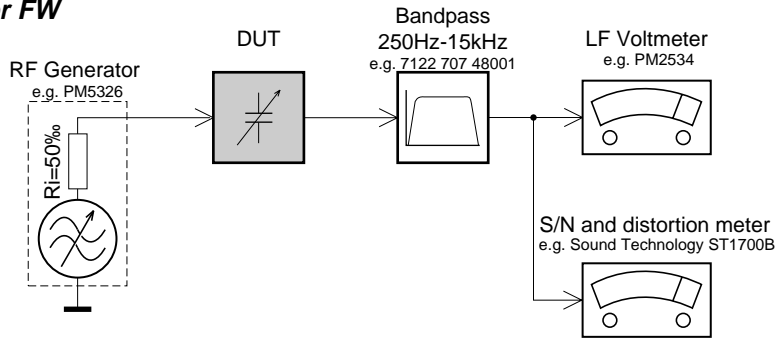
TORX T10 screwdriver with shaftlength 150mm.....	4822 395 50423
TORX screwdriver set SBC 163.....	4822 295 50145
Audio signal disc SBC 429.....	4822 397 30184
Playability test disc SBC 444.....	4822 397 30245
Test disc 5 (disc without errors) + Test disc 5A (disc with dropout errors, black spots and fingerprints) SBC 426/426A.....	4822 397 30096
Burn in test disc (65 min. 1kHz signal at -30 dB level without "pause").....	4822 397 30155
Universal test cassette Fe SBC 420.....	4822 397 30071

AVAILABLE ESD PROTECTION EQUIPMENT

anti-static table mat large 1200x650x1.25mm	4822 466 10953
small 600x650x1.25mm	4822 466 10958
anti-static wristband	4822 395 10223
connection box (3 press stud connections, 1M Ω)	4822 320 11307
extendible cable (2m, 2M Ω , to connect wristband to connection box)	4822 320 11305
connecting cable (3m, 2M Ω , to connect table mat to connection box)	4822 320 11306
earth cable (1M Ω , to connect any product to mat or to connection box)	4822 320 11308
KIT ESD3 (combining all 6 prior products - small table mat)	4822 310 10671
wristband tester	4822 344 13999

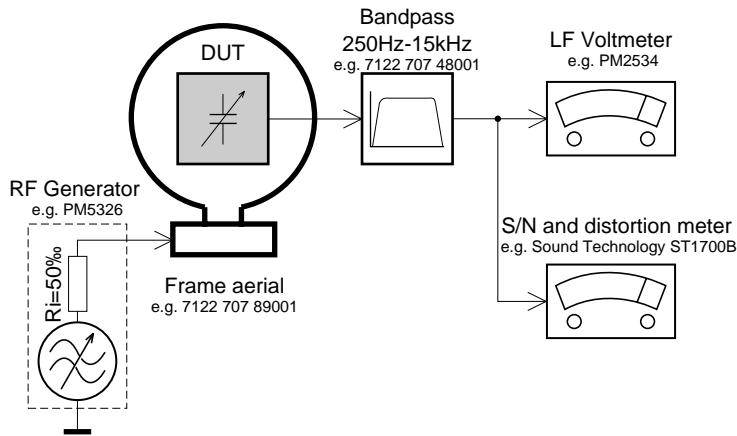
SERVICE MEASUREMENT

Tuner FW



Use a bandpass filter to eliminate hum (50Hz, 100Hz) and disturbance from the pilotone (19kHz, 38kHz).

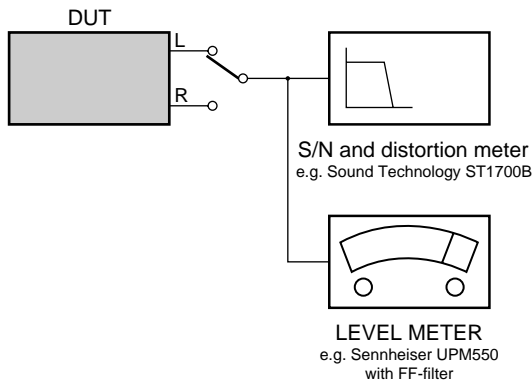
Tuner AM (MW,LW)



To avoid atmospheric interference all AM-measurements have to be carried out in a Faraday«s cage. Use a bandpass filter (or at least a high pass filter with 250kHz) to eliminate hum (50Hz, 100Hz).

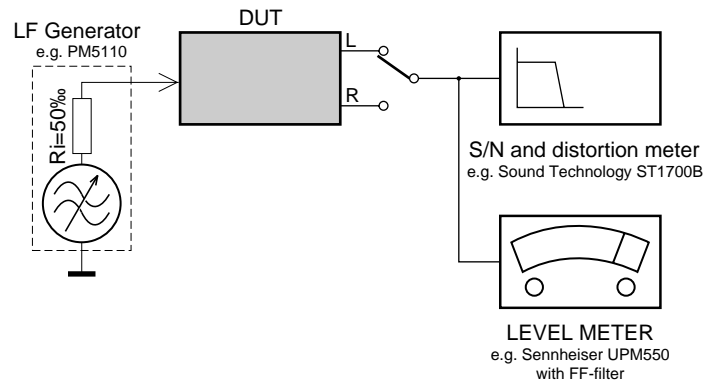
CD

Use Audio Signal Disc SBC429 4822 397 30184 (replaces test disc 3)



RECORDER

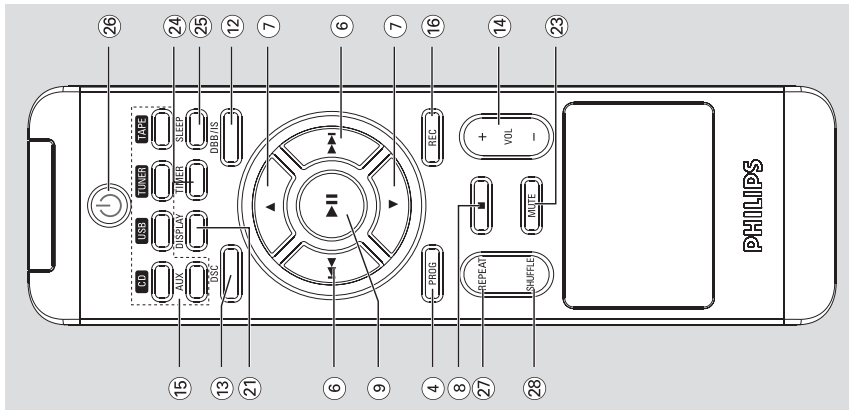
Use Universal Test Cassette Fe SBC420 4822 397 30071



CONNECTION AND CONTROLS

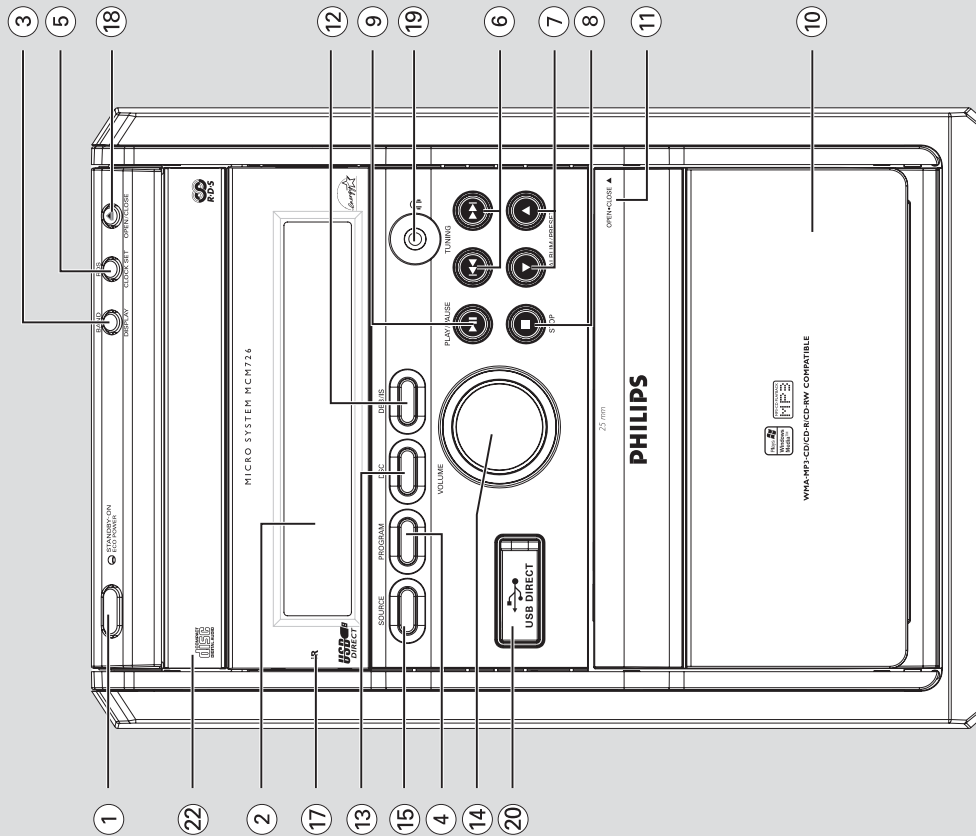
Controls (main set illustrations on page 3)

- ④ **PROGRAM** for CD/MP3-CD/USB...to programme disc tracks.
for Tunerto programme preset radio stations.
- ⑤ **RDS/CLOCK SET** for Tunerto activate RDS news.
for Clock (on the system only) to set the clock function.
- ⑥ **TUNING** ◀◀◀▶▶▶▶▶▶ (◀◀▶▶▶▶▶▶) for CD/MP3-CD/USBto select a desired track.
..... (press and hold) o search backward/forward.
for Tunerto tune to a lower or higher radio frequency.
for Tapeto rewind or fast forward.
- ⑦ **ALBUM/PRESET** ▼/▲ for MP3-CD/USB to select previous/next album.
for Tunerto select a preset radio station.
- ⑧ **STOP** ■ for CD/MP3-CD/USB...to stop playback or to clear a programme.
for Tapeto stop playback or recording.
- ⑨ **PLAY/PAUSE** ▶▶ ◀◀ for CD/MP3-CD/USB...to start or interrupt playback.
for Tapeto start playback.
- ⑩ **Tape deck**
- ⑪ **OPEN•CLOSE** ▲ – to open tape compartment.
- ⑫ **DBB/IS** – to create a super-enhanced stereo effect.
– to enhance the bass.
- ⑬ **DSC (Digital Sound Control)** – to select the desired sound effect : OPTIMAL, ROCK,JAZZ, or POP
- ⑭ **VOLUME (VOL + / -)** – to increase or decrease the volume.
– (on the system only) to adjust the hours and minutes for the clock/timer functions.
- ⑮ **SOURCE** – to select the respective sound source : CD, USB, TUNER, TAPE or AUX.





Controls on the system and remote control

- ① **STANDBY-ON/ECO POWER** ⏻ – to switch the system on or to Eco Power standby/normal standby mode with clock display.
- ② **Display screen** – to view the current status of the system.
- ③ **BAND/DISPLAY** for Tunerto select waveband; FM, MW or LW.
for CD/MP3-CD/USB...to select disc information display mode.







CONNECTION AND CONTROLS

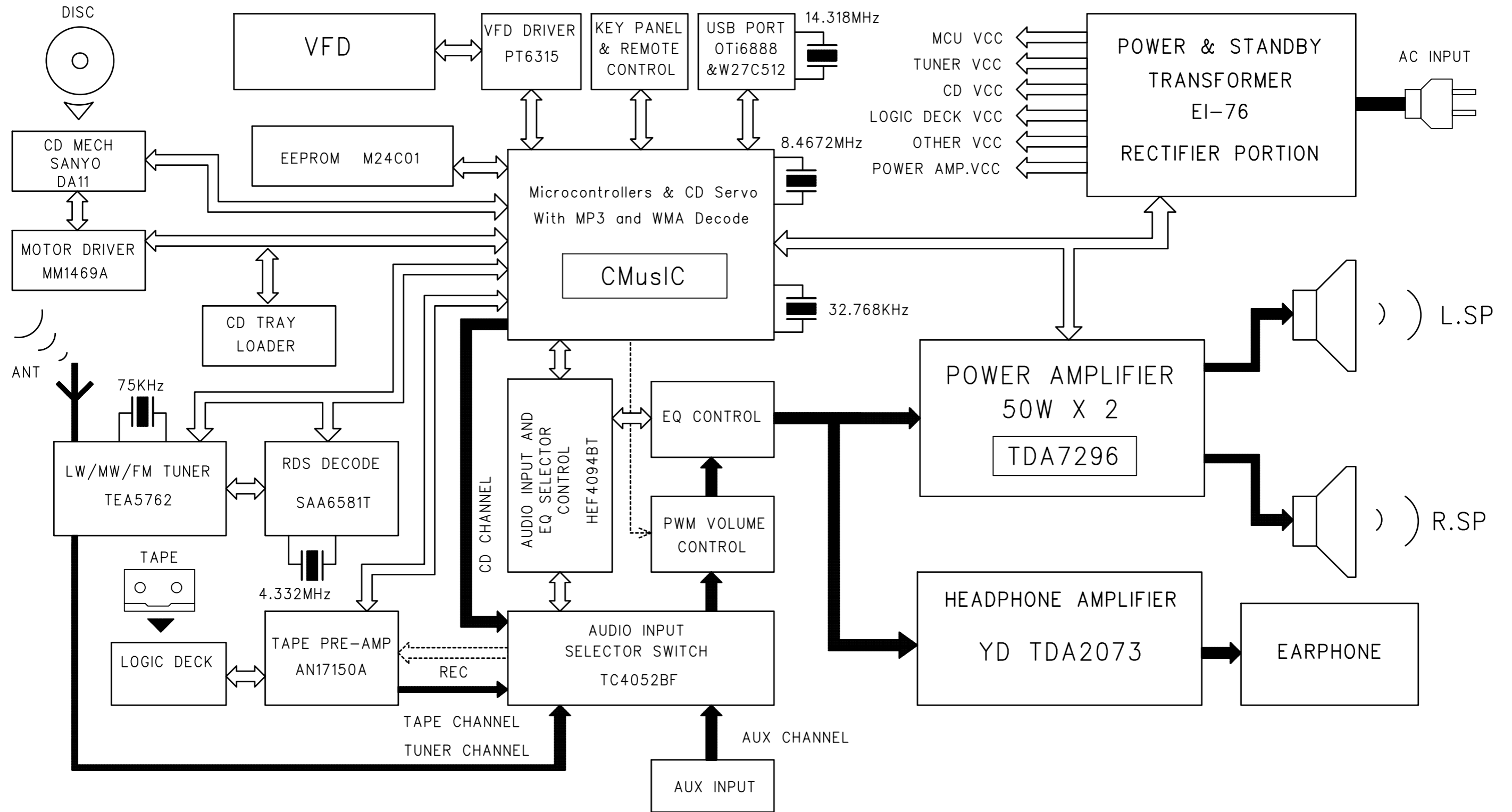
Controls *(main set illustrations on page 3)*

- ⑩ **REC**
 - to start recording.
- ⑪ **iR sensor**
 - infrared sensor for remote control.
- ⑫ **OPEN/CLOSE ▲**
 - to open or close the disc tray.
- ⑬ **Headphone**
 - Plugs in the headphones jack. The speakers output will be cancelled.
- ⑭ **USB DIRECT **
 - jack for the external USB mass storage device.
- ⑮ **Display**
 - to select disc information display mode.
- ⑯ **Disk tray**
- ⑰ **MUTE**
 - to interrupt and resume sound reproduction.
- ⑱ **TIMER**
 - to activate/deactivate the timer function.
- ⑲ **SLEEP**
 - to activate/deactivate or set the sleep timer.
- ⑳ ****
 - to switch the system to standby mode.
- ㉑ **REPEAT**
 - to play track(s)/program repeatedly.
- ㉒ **SHUFFLE**
 - to turn on/off the random play mode.

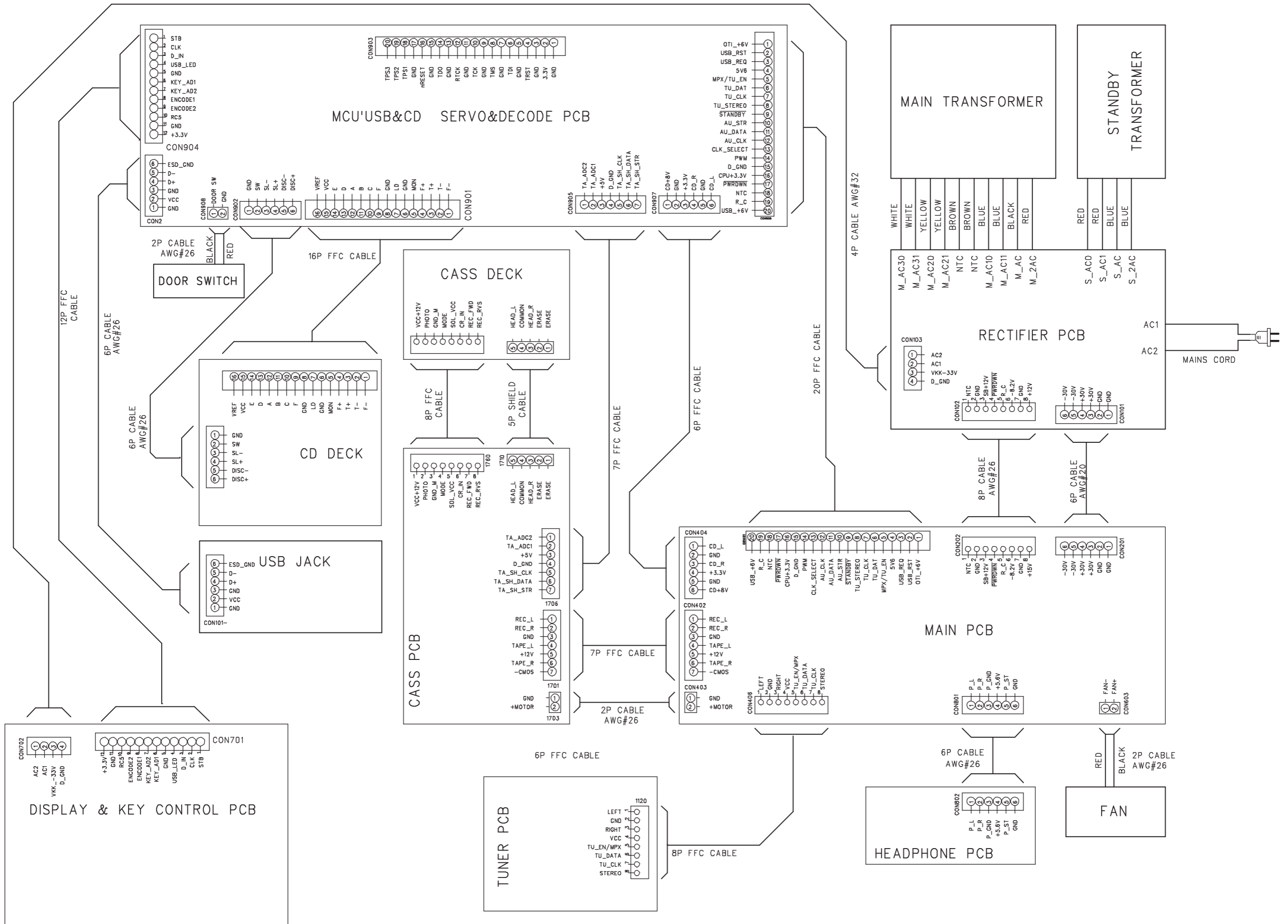
Notes for remote control:

- *First select the source you wish to control by pressing one of the source select keys on the remote control (for example CD, TUNER).*
- *Then select the desired function (for example , , , ).*

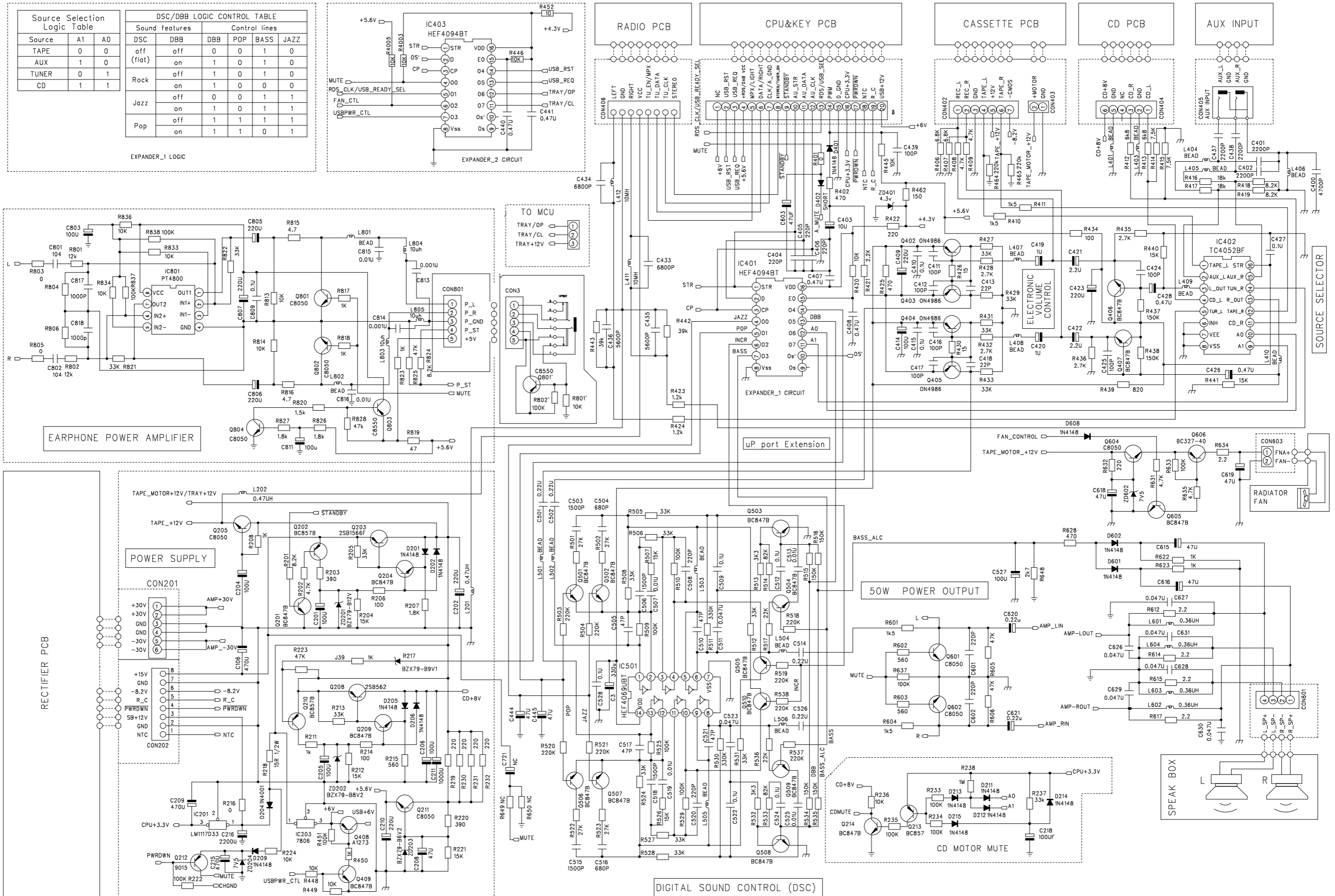
SET BLOCK DIAGRAM



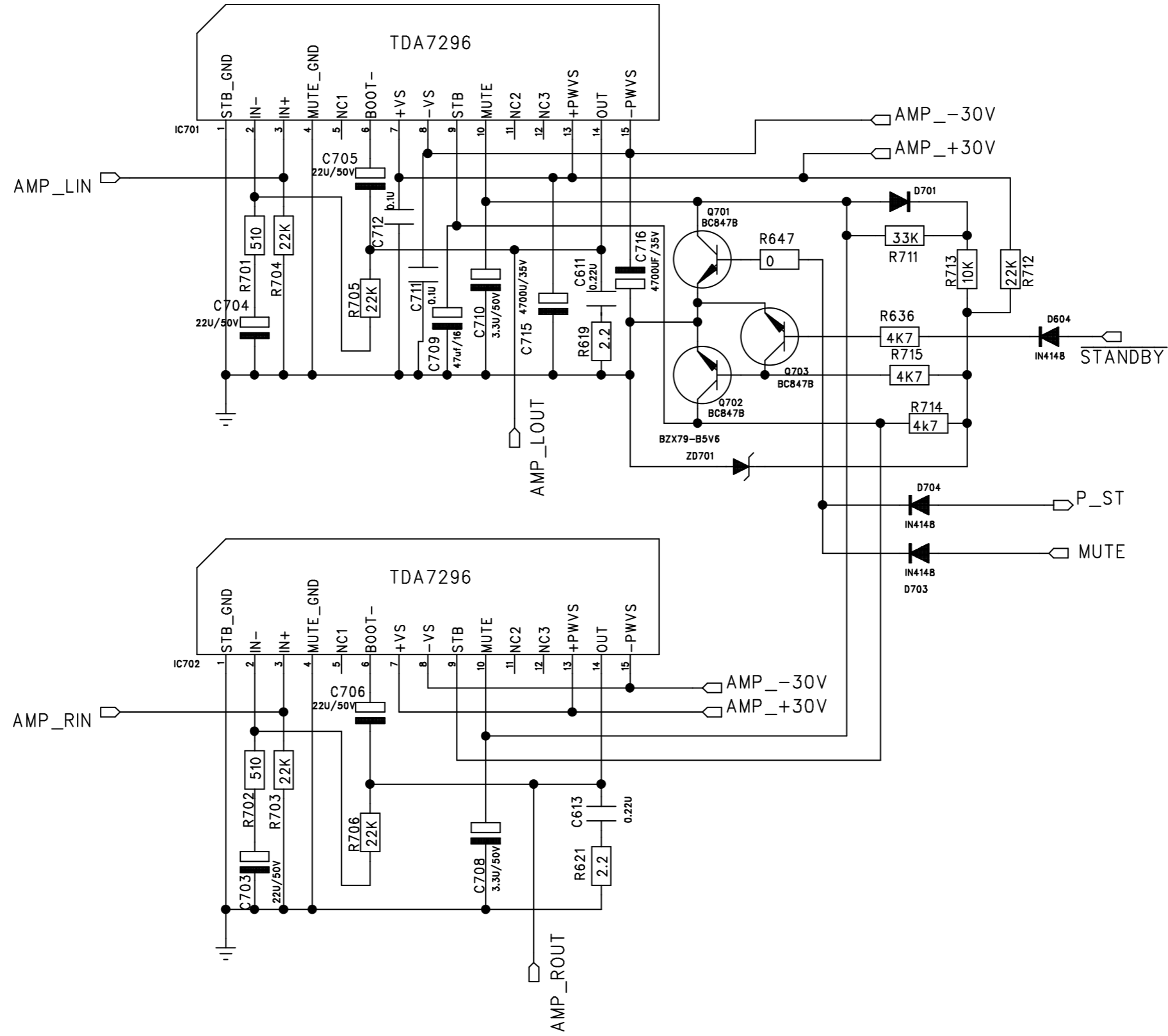
SET WIRING DIAGRAM



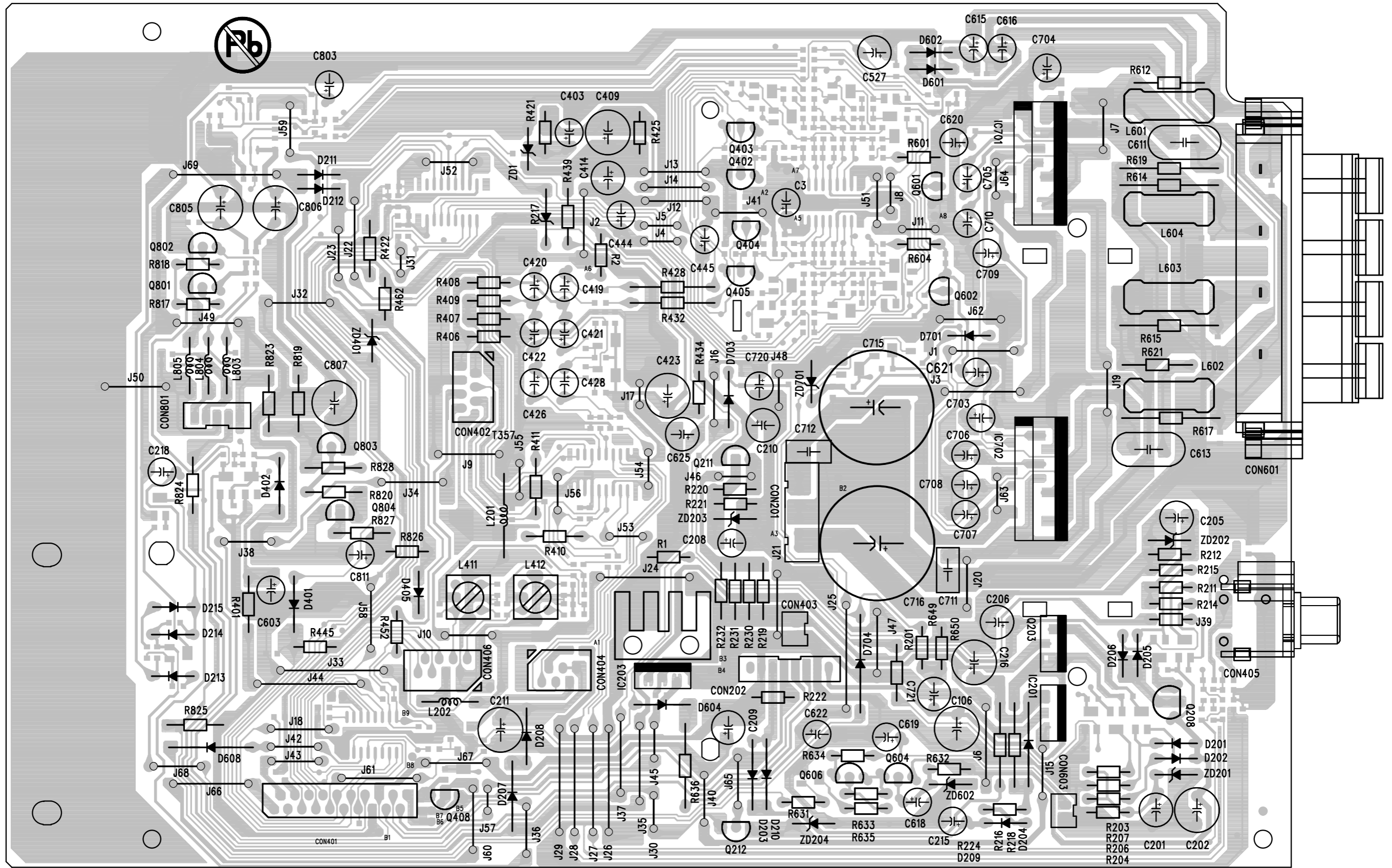
CIRCUIT DIAGRAM - MAIN BOARD PART 1



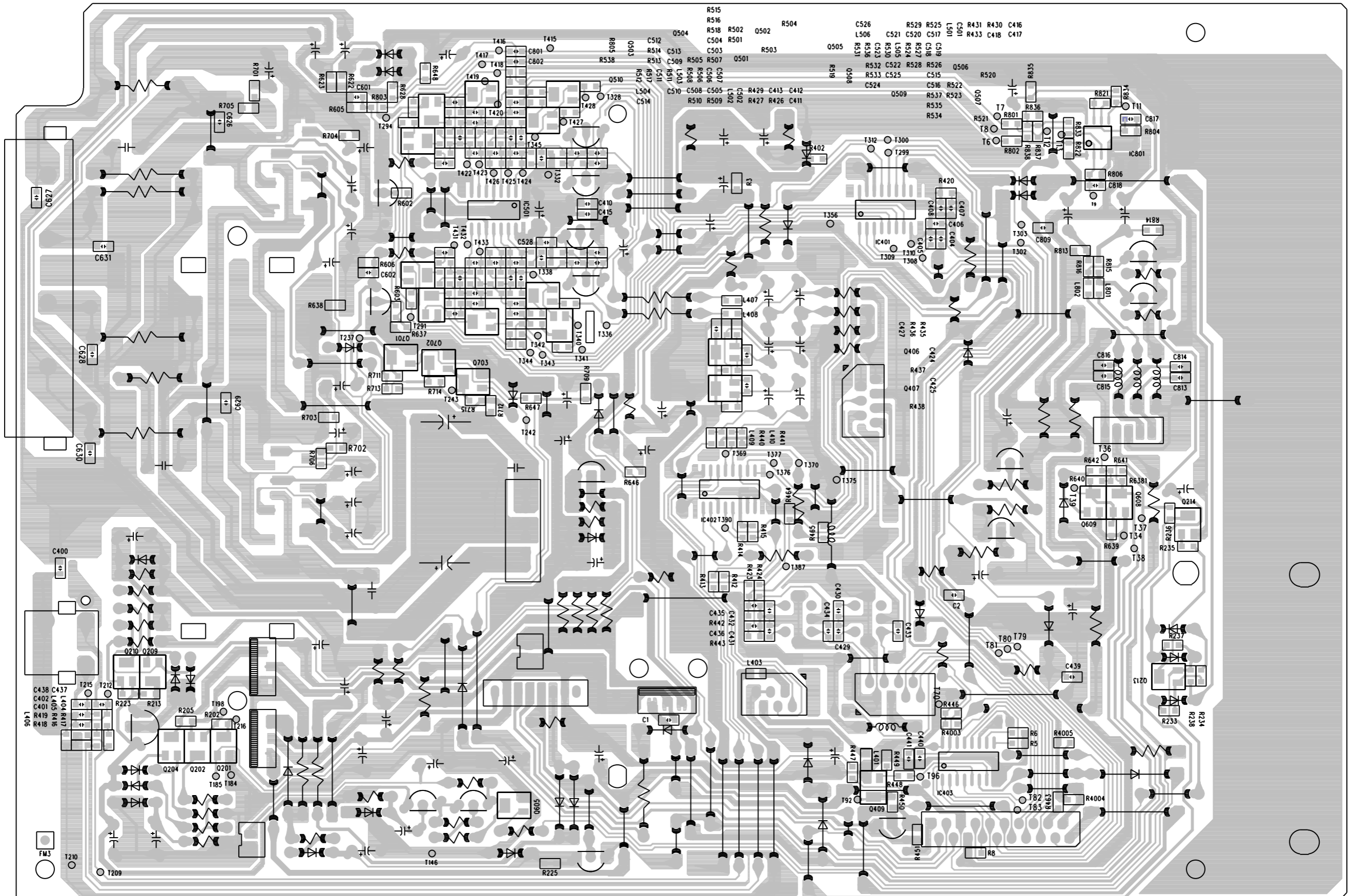
CIRCUIT DIAGRAM - MAIN BOARD
PART 2



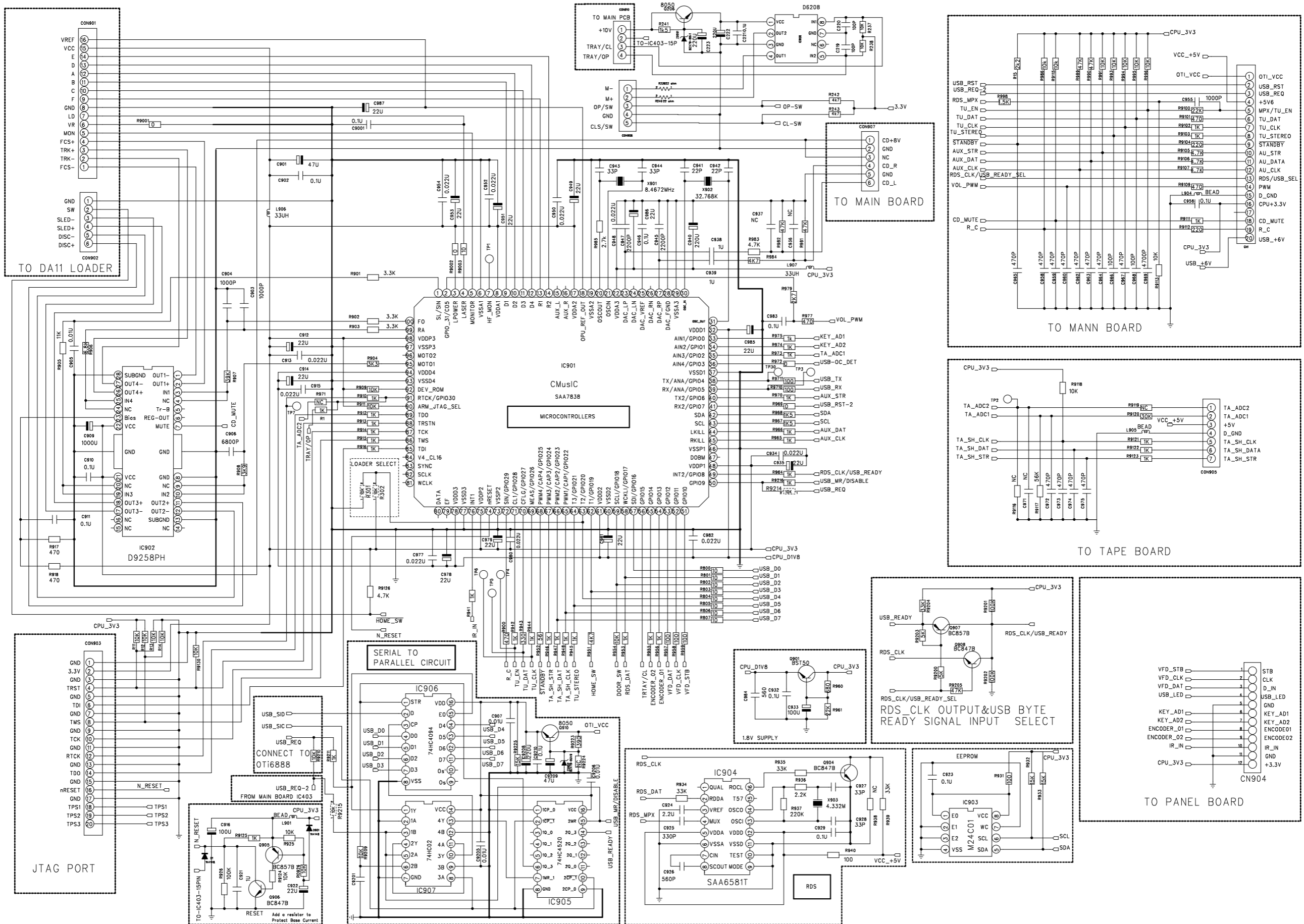
LAYOUT DIAGRAM - MAIN BOARD
COMPONENT SIDE



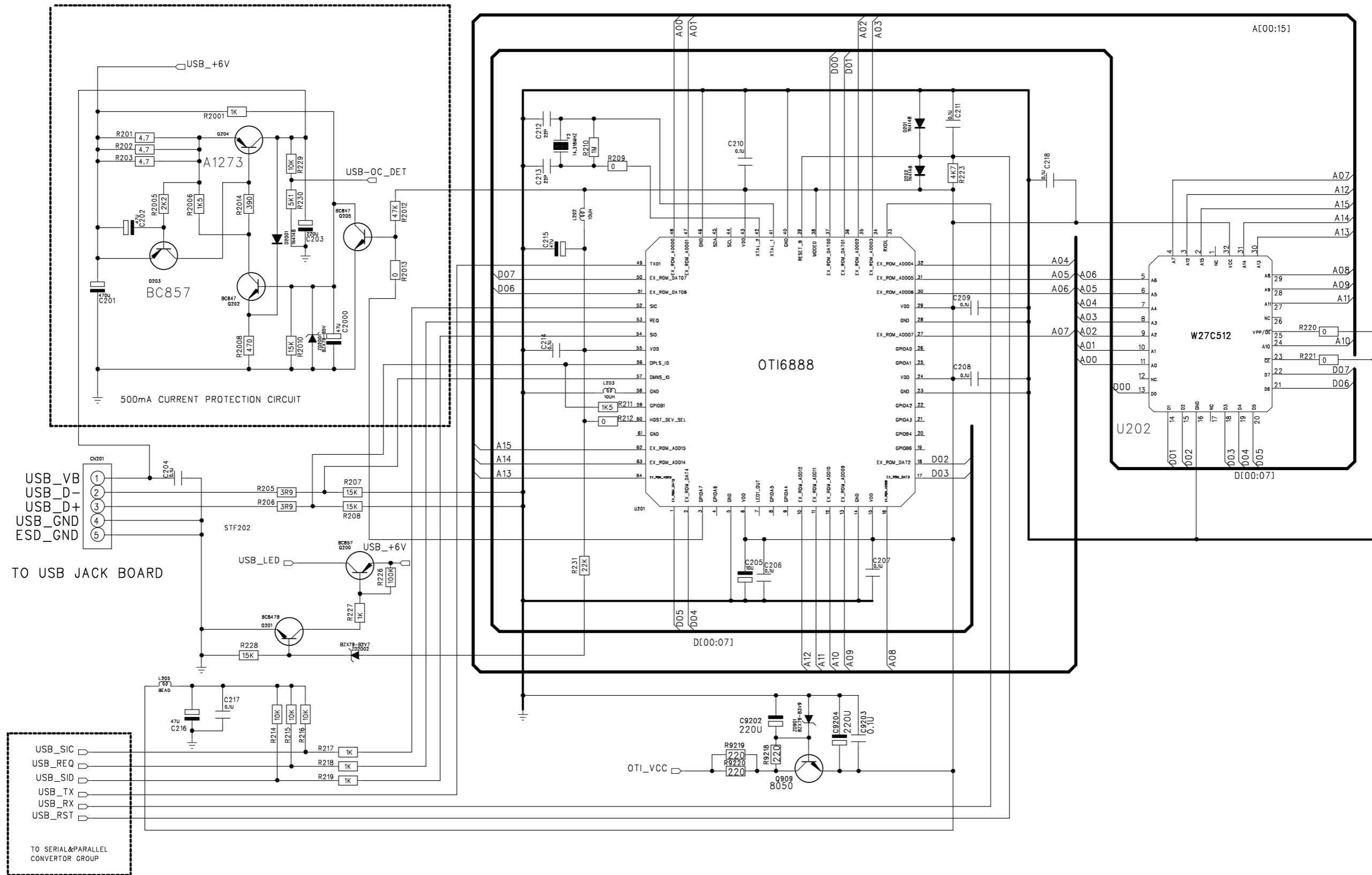
LAYOUT DIAGRAM - MAIN BOARD
COPPER SIDE



CIRCUIT DIAGRAM - C MUSIC BOARD PART 1



CIRCUIT DIAGRAM - C MUSIC BOARD PART 2



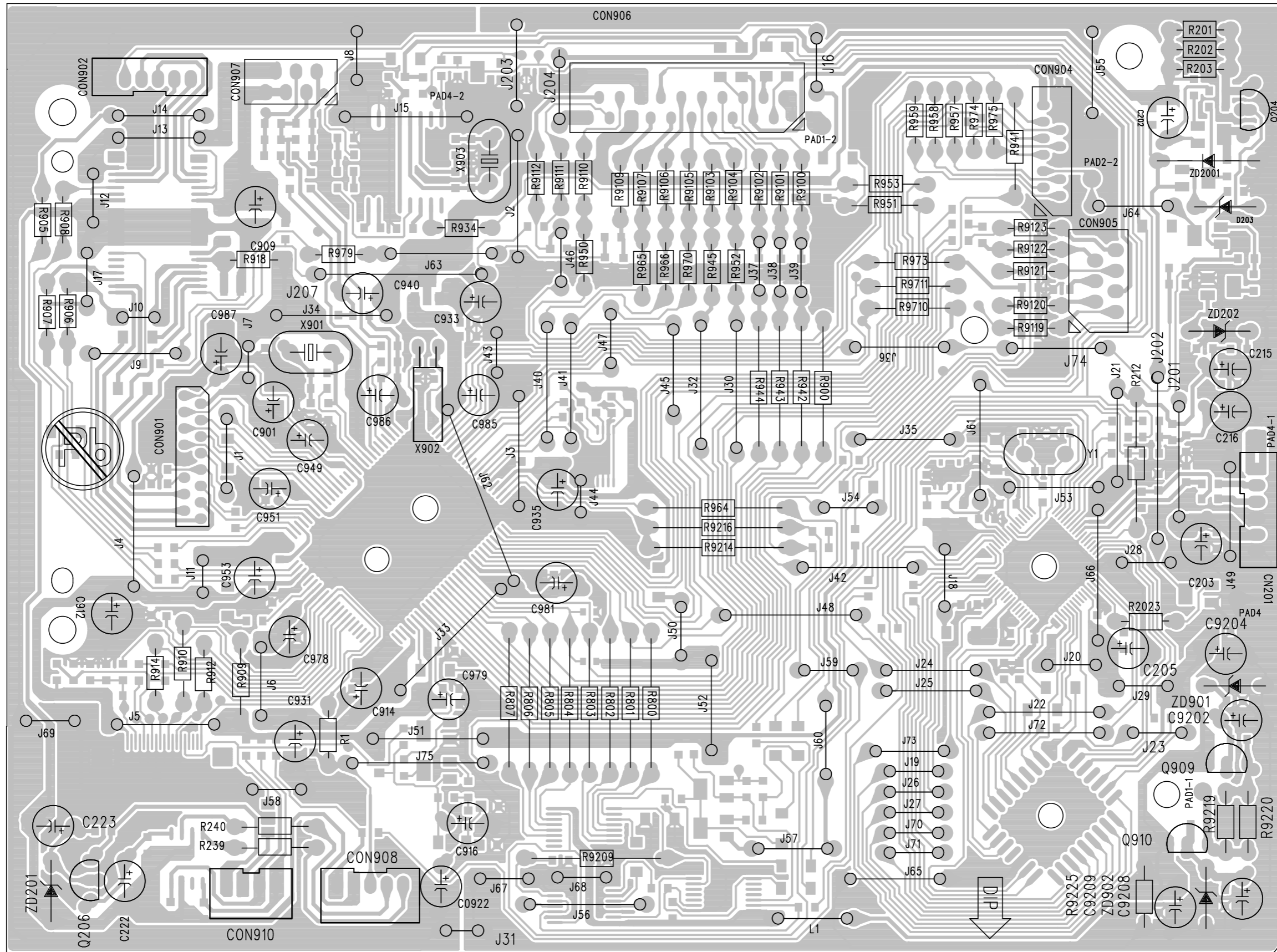
TO USB JACK BOARD

USB_VB
 USB_D-
 USB_D+
 USB_GND
 ESD_GND

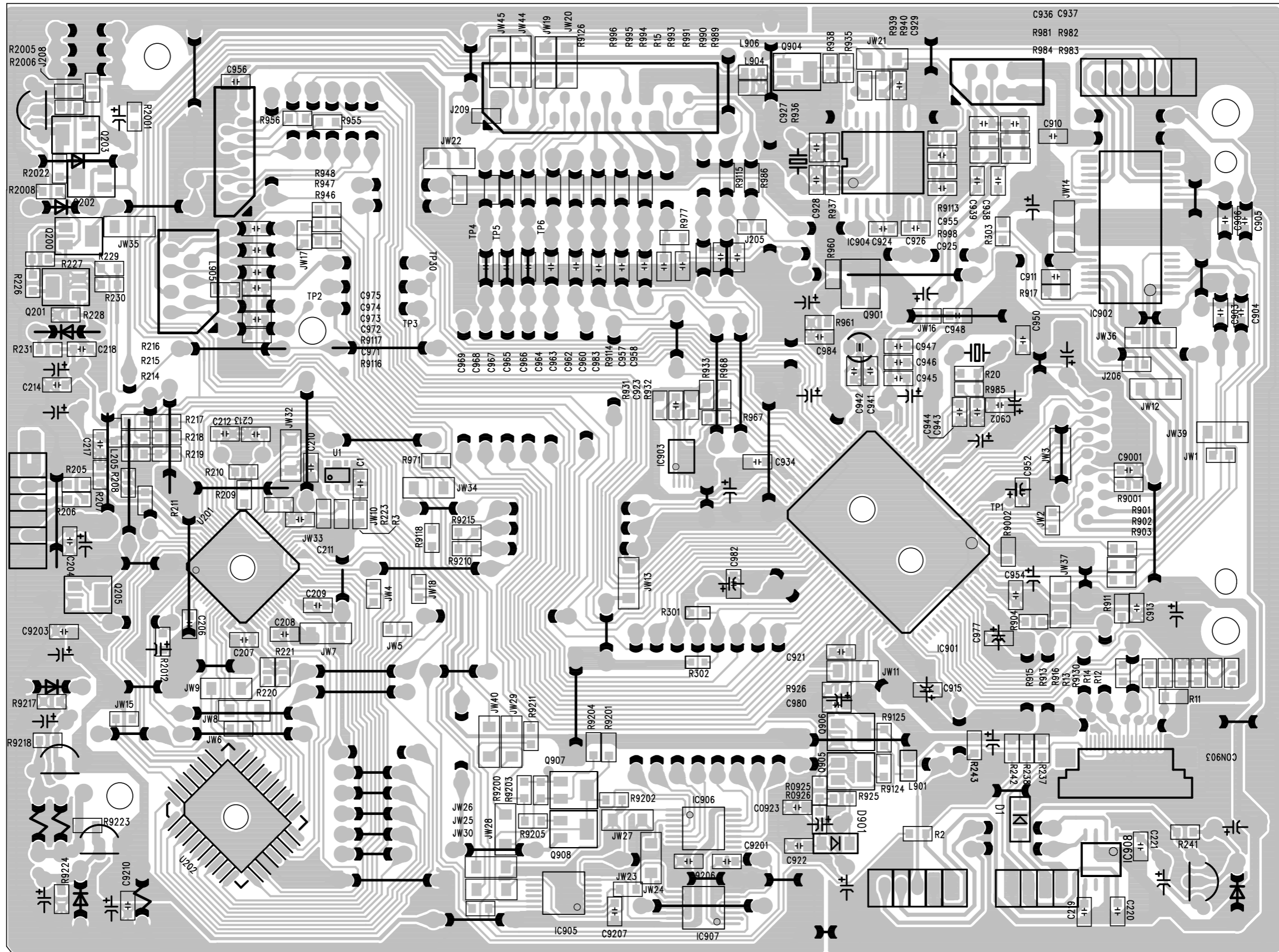
TO SERIAL&PARALLEL
 CONVERTOR GROUP

USB_SIC
 USB_REQ
 USB_SID
 USB_TX
 USB_RX
 USB_RST

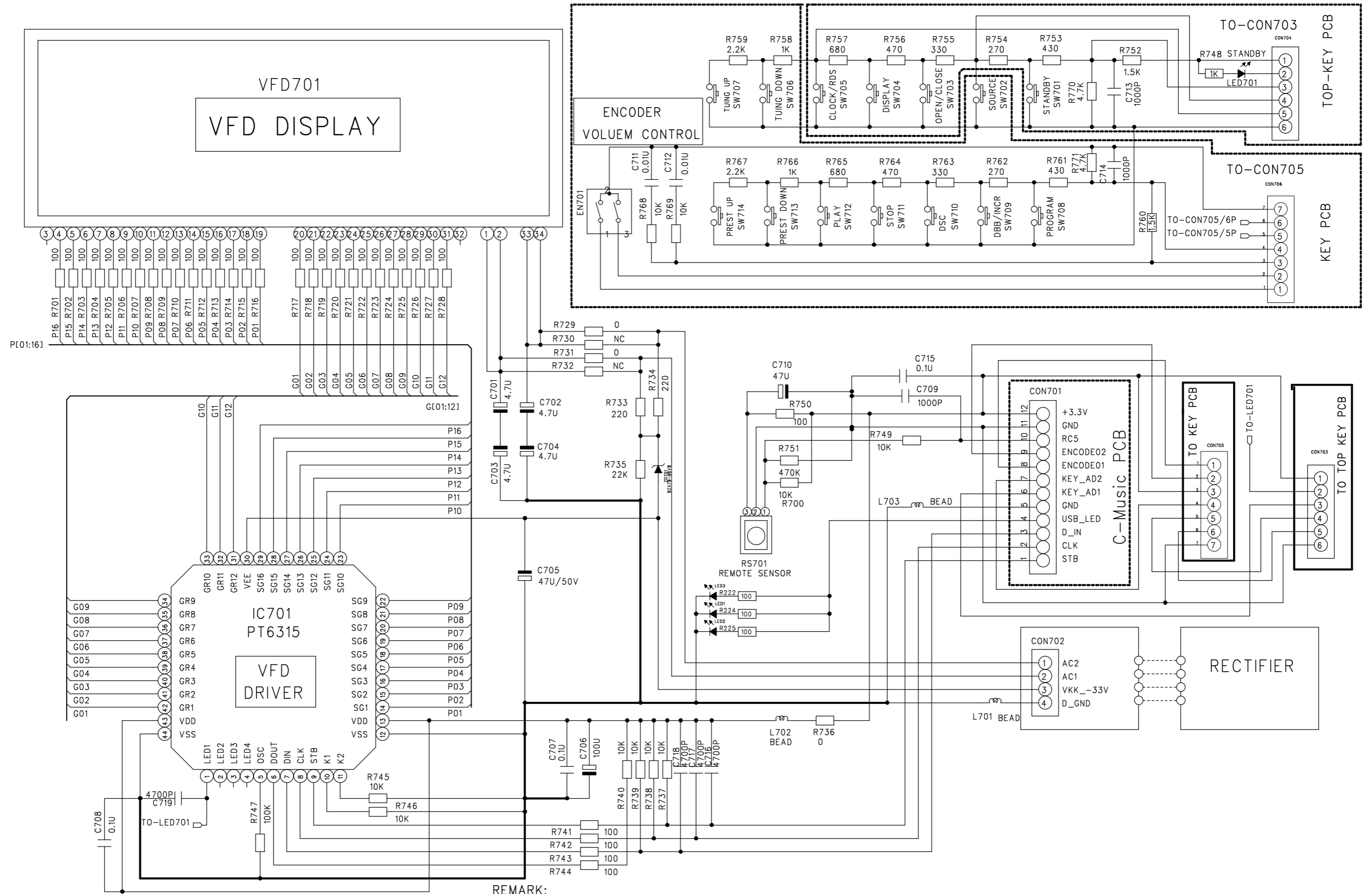
LAYOUT DIAGRAM - C MUSIC BOARD COMPONENT SIDE



LAYOUT DIAGRAM - C MUSIC BOARD
COPPER SIDE

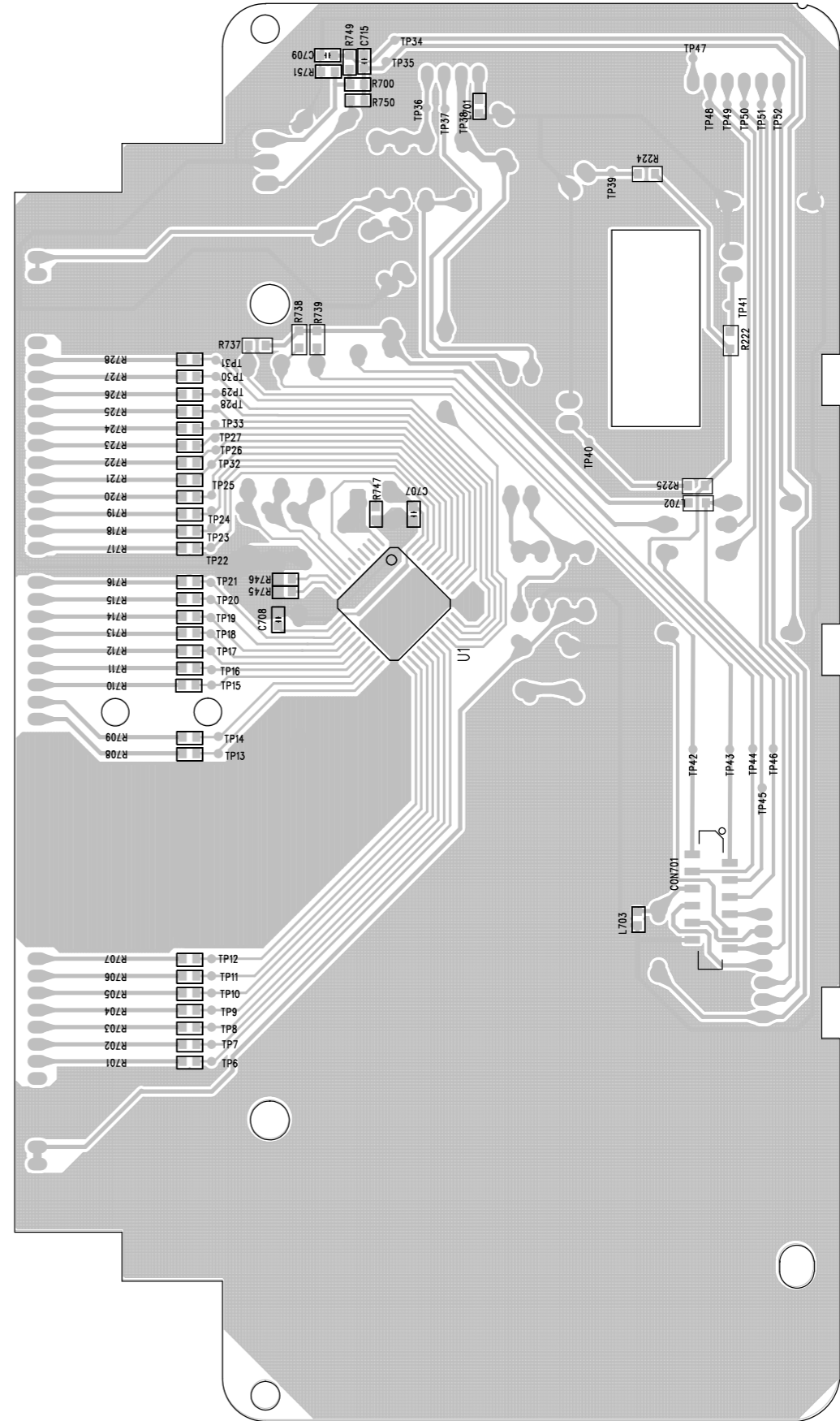
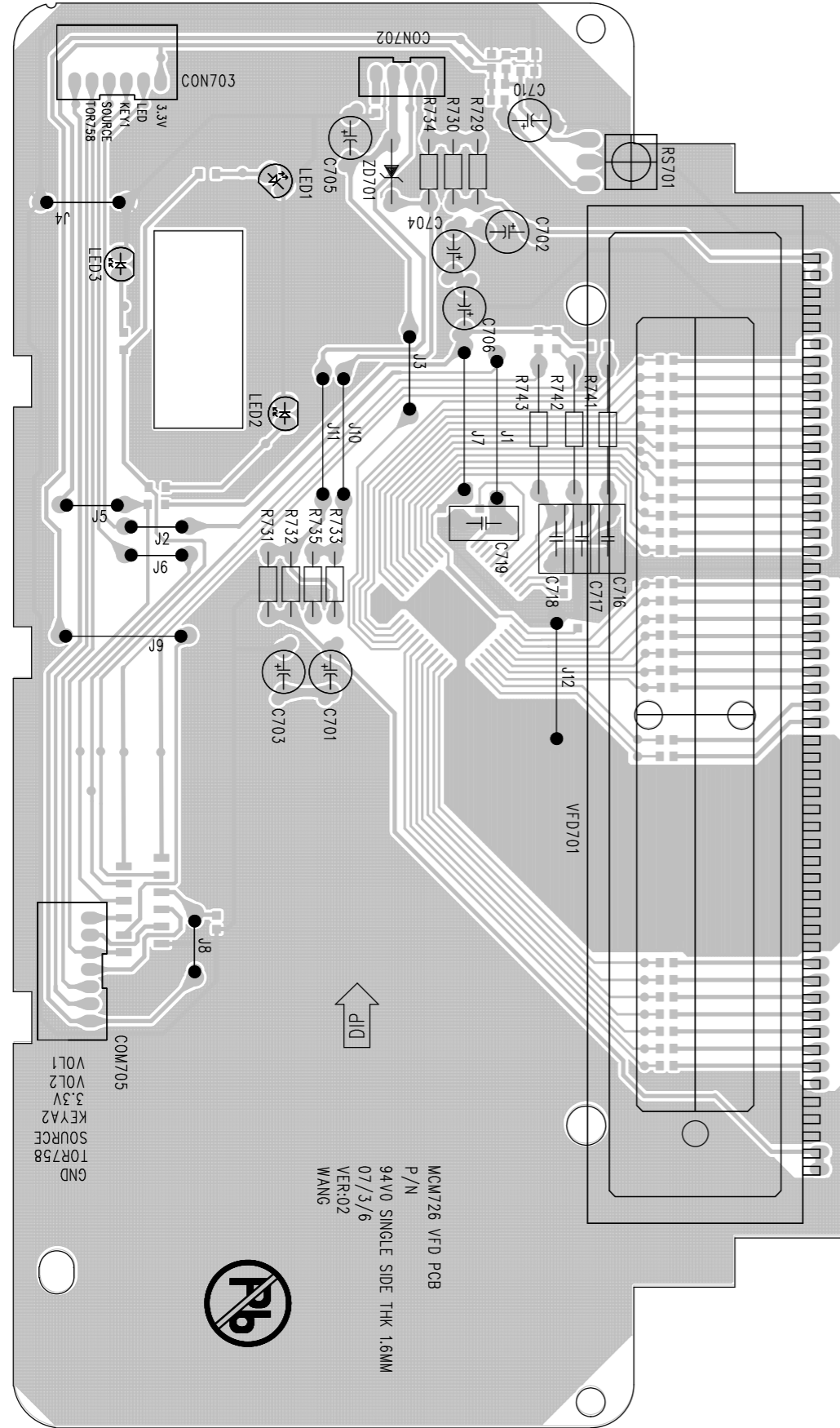


CIRCUIT DIAGARM - VFD BOARD



REMARK:
 1 - ALL RESISTANCE VALUES ARE INDICATED IN "ohm".
 (k = 1,000ohm; M = 1,000,000ohm.)
 2 - ALL CAPACITANCE VALUES ARE INDICATED IN "F".
 (U = 0.000001F; P = 0.000001UF.)

LAYOUT DIAGARM - VFD BOARD



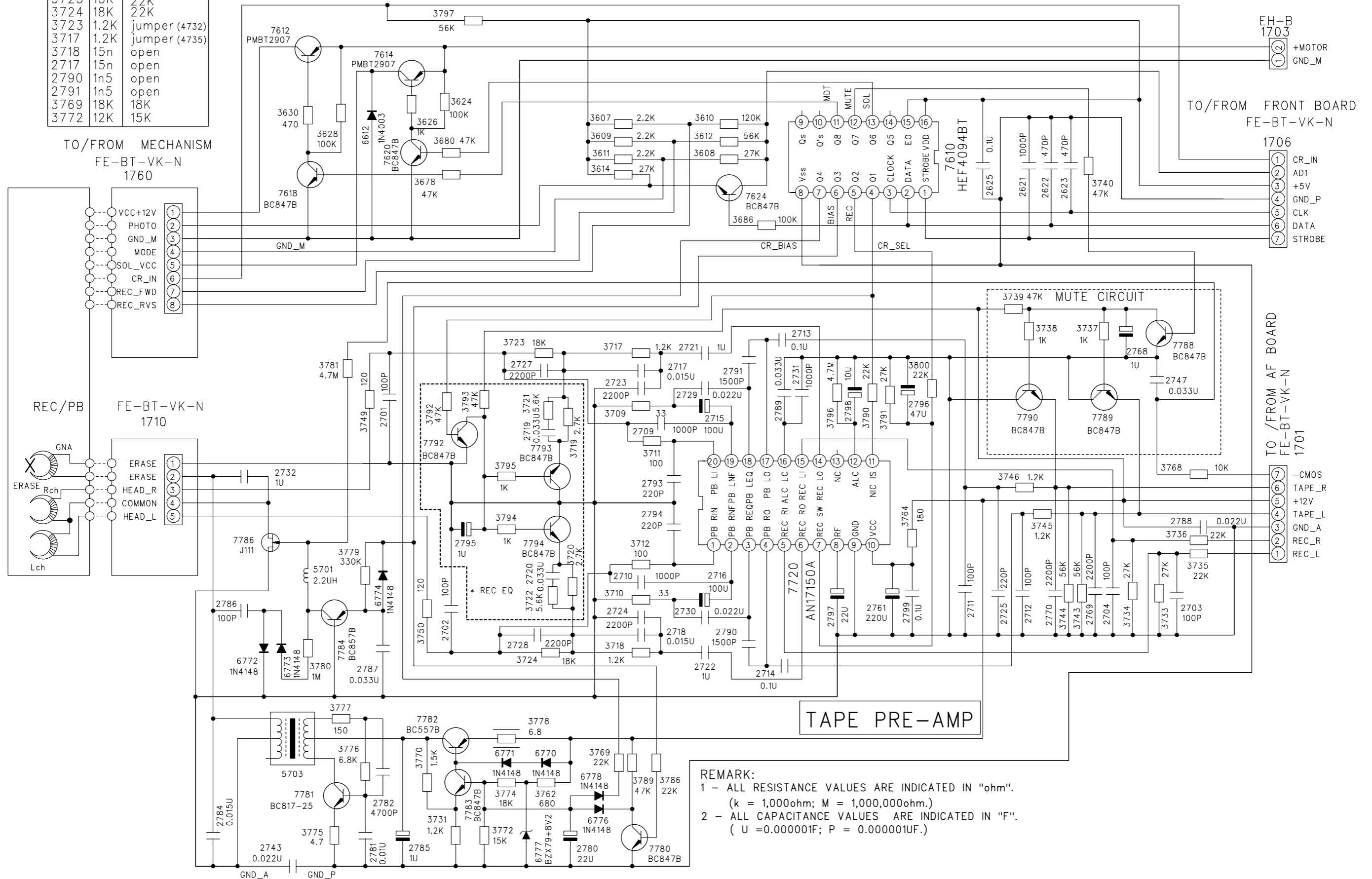
CIRCUIT DIAGRAM - CASSETTE BOARD

Variant Parts between AR d NAR version :please refer to table below

	AR	NAR
3723	18K	22K
3724	18K	22K
3723	1.2K	jumper (4732)
3717	1.2K	jumper (4735)
3718	15n	open
2717	15n	open
2790	1n5	open
2791	1n5	open
3769	18K	18K
3772	12K	15K

*2725/220p

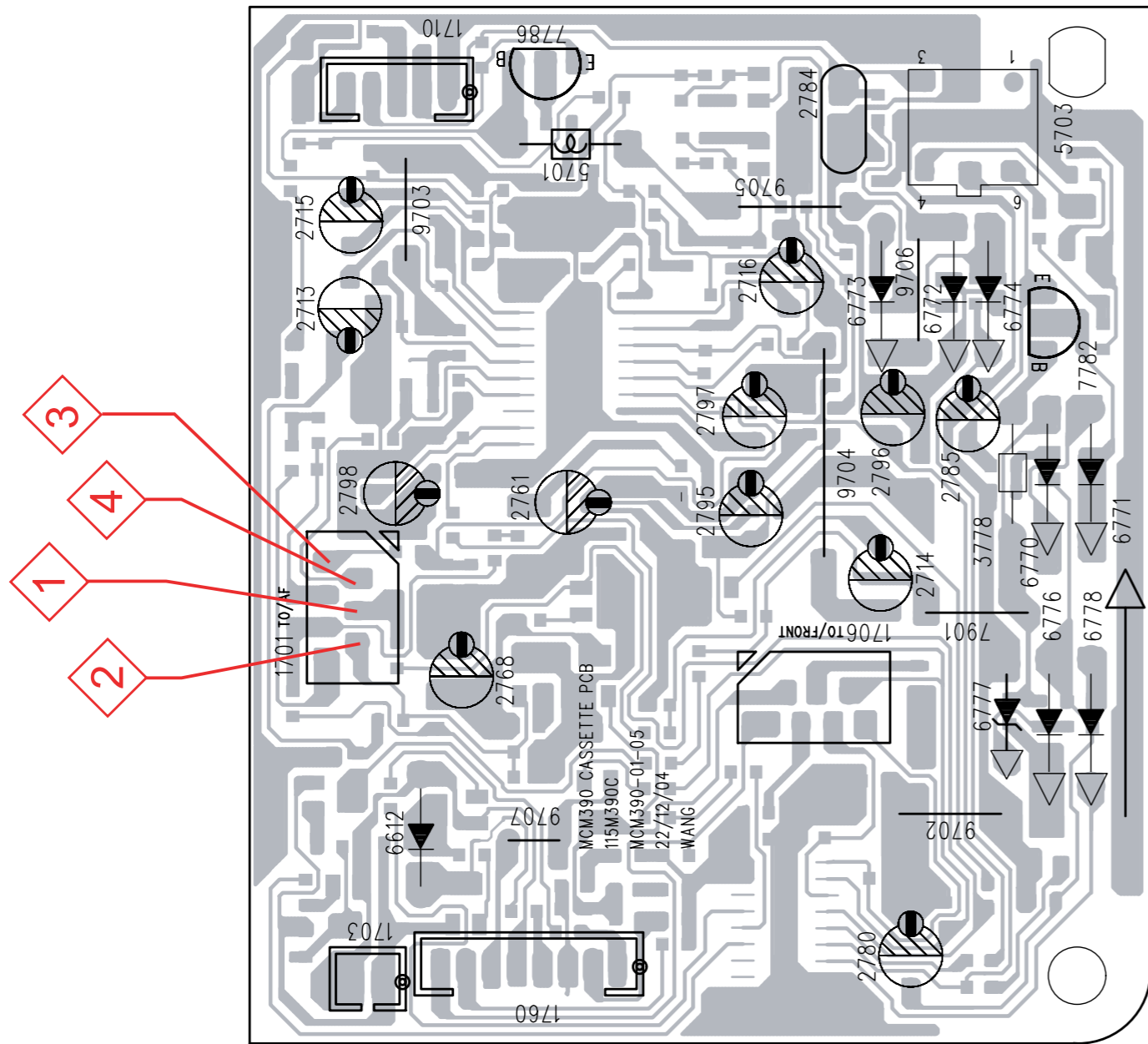
SHIFT REGISTER



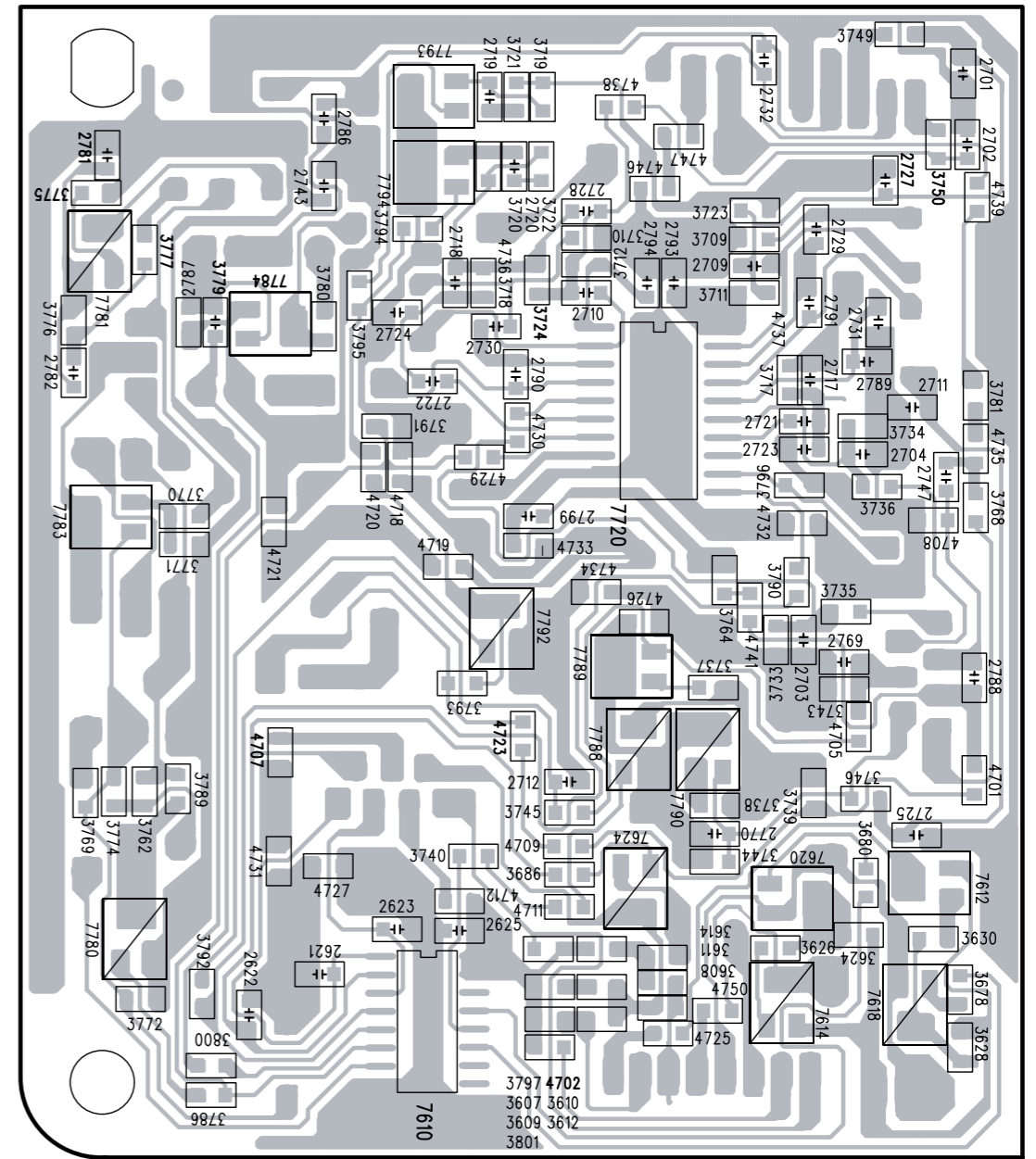
REMARK:
 1 - ALL RESISTANCE VALUES ARE INDICATED IN "ohm".
 (k = 1,000ohm; M = 1,000,000ohm.)
 2 - ALL CAPACITANCE VALUES ARE INDICATED IN "F".
 (U =0.000001F; P = 0.000001UF.)

LAYOUT DIAGRAM - CASSETTE BOARD

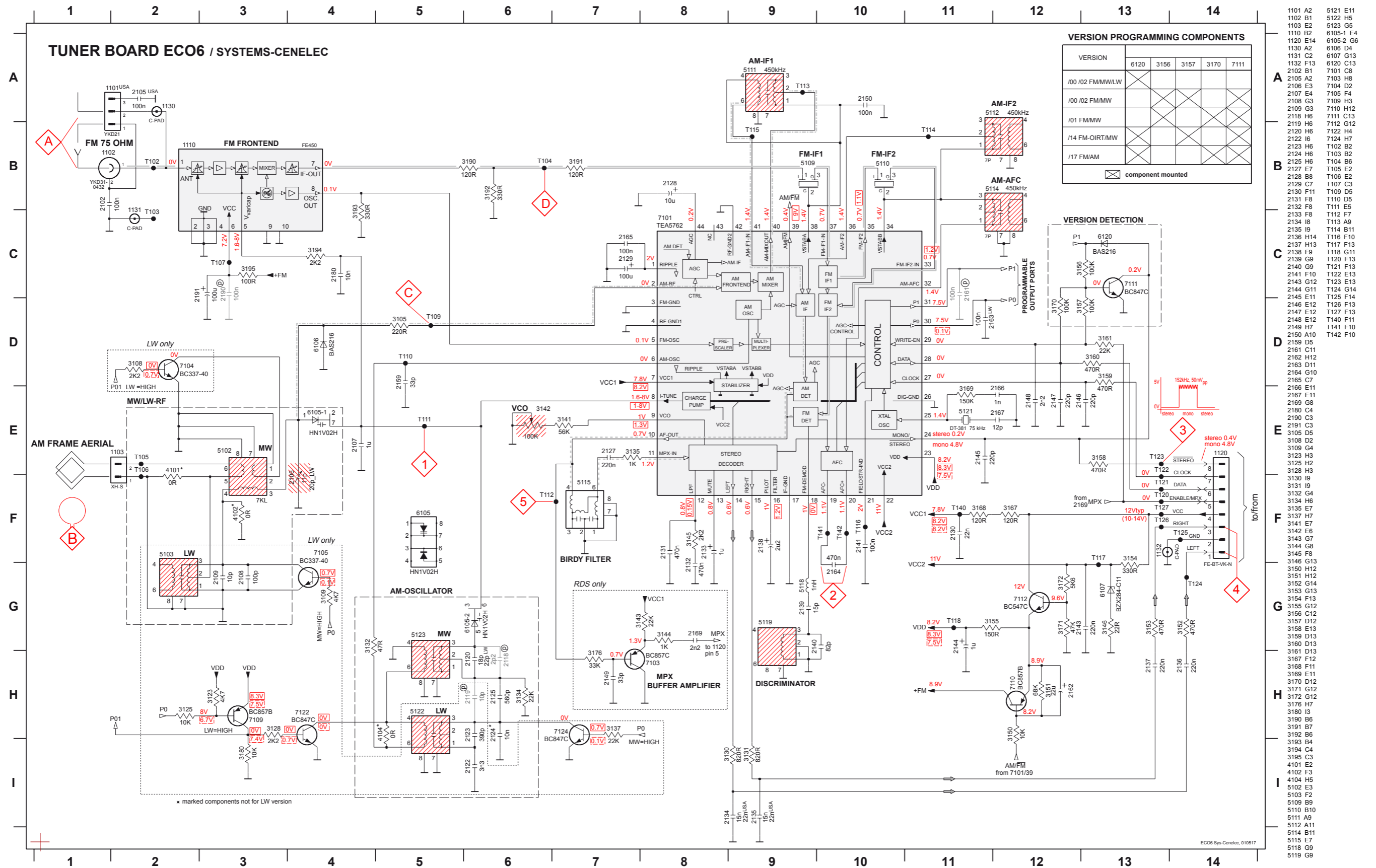
COMPONENT SIDE



COPPER SIDE



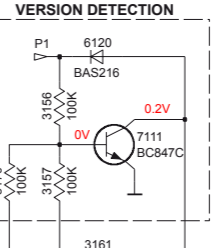
CIRCUIT DIAGRAM - TUNER BOARD



VERSION PROGRAMMING COMPONENTS

VERSION	6120	3156	3157	3170	7111
/00 /02 FM/MW/LW					
/00 /02 FM/MW					
/01 FM/MW					
/14 FM-OIRT/MW					
/17 FM/AM					

☒ component mounted



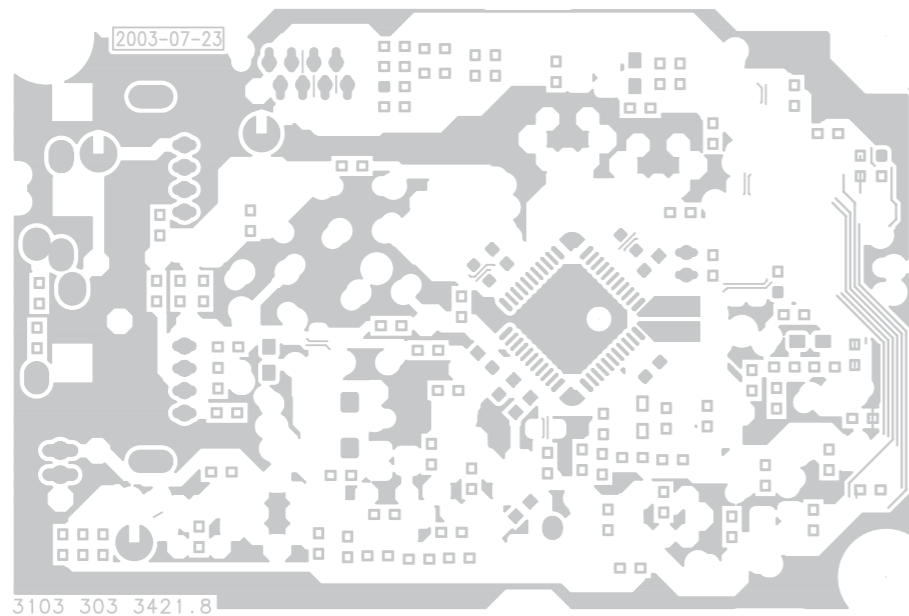
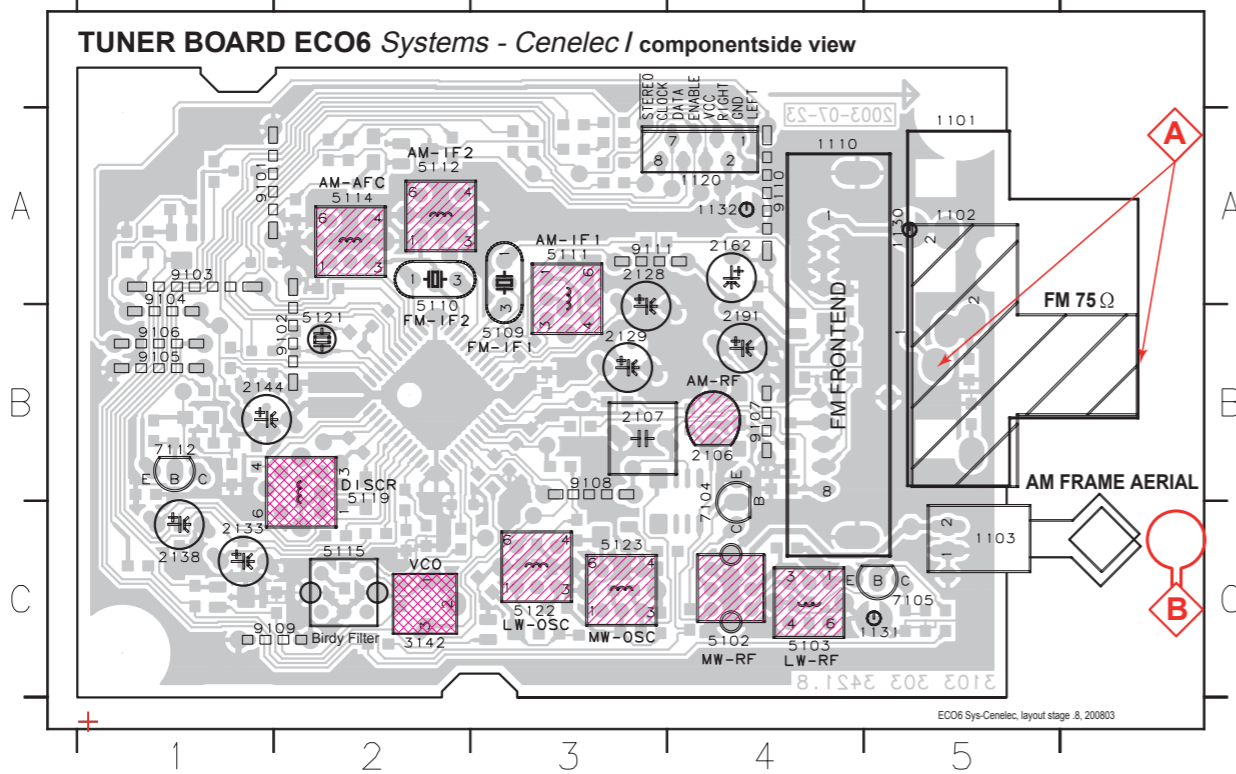
- 1101 A2
- 1102 B1
- 1103 E2
- 1110 B2
- 1120 E14
- 1130 A2
- 1131 C2
- 1132 F13
- 2102 B1
- 2105 A2
- 2106 E3
- 2107 E4
- 2108 G3
- 2109 G3
- 2118 H6
- 2119 H6
- 2120 H6
- 2122 I6
- 2123 H6
- 2124 H6
- 2125 H6
- 2127 E7
- 2128 B8
- 2129 C7
- 2130 F11
- 2131 F8
- 2132 F8
- 2133 F8
- 2134 I8
- 2135 I9
- 2136 H14
- 2137 H13
- 2138 F9
- 2139 G9
- 2140 G9
- 2141 F10
- 2143 G12
- 2144 G11
- 2145 E11
- 2146 E12
- 2147 E12
- 2148 E12
- 2149 H7
- 2150 A10
- 2159 D5
- 2161 C11
- 2162 H12
- 2163 D11
- 2164 G10
- 2165 C7
- 2166 E11
- 2167 E11
- 2169 G8
- 2180 C4
- 2190 C3
- 2191 C3
- 3105 D5
- 3108 D2
- 3109 G4
- 3123 H3
- 3125 H2
- 3128 H3
- 3130 I9
- 3131 I9
- 3132 G4
- 3134 H6
- 3135 E7
- 3137 H7
- 3141 E7
- 3142 E8
- 3143 G7
- 3144 G8
- 3145 F8
- 3146 G13
- 3150 H12
- 3151 H12
- 3152 G14
- 3153 G13
- 3154 F13
- 3155 G12
- 3156 C12
- 3157 D12
- 3158 E13
- 3159 D13
- 3160 D13
- 3161 D13
- 3167 F12
- 3168 F11
- 3169 E11
- 3170 D12
- 3171 G12
- 3172 G12
- 3176 H7
- 3180 I3
- 3190 B6
- 3191 B7
- 3192 B6
- 3193 B4
- 3194 C4
- 3195 C3
- 4101 E2
- 4102 F3
- 4104 H5
- 5102 E3
- 5103 F2
- 5109 B9
- 5110 B10
- 5111 A9
- 5112 A11
- 5114 B11
- 5115 E7
- 5118 G9
- 5119 G9

LEGEND

- * ... only assembled in FM/AM-version
- (P) ... for provision only
- USA ... for USA version only
- LW ... for LW version only
- SMD jumper
- 41xx OR
- EVM
- ...V FM mode stereo
- ...V MW mode
- ...V LW mode
- voltages measured while set is tuned to a strong transmitter
- Signal path
- FM
- AM
- - - MPX (Audio Frequency)
- ⇒ AF - left/right

LAYOUT DIAGRAM - TUNER BOARD

1101 B5 1110 B4 1131 C5 2107 B3 2133 C1 2162 A4 5102 C4 5110 A2 5114 A2 5121 B2 7104 C4 9101 A2 9104 B1 9107 B4 9110 A4
 1102 B5 1120 A4 1132 A4 2128 A3 2138 B1 2191 B4 5103 C4 5111 A3 5115 C2 5122 C3 7105 C5 9102 B2 9105 B1 9108 B3 9111 A3
 1103 C5 1130 A5 2106 B4 2129 B3 2144 B1 3142 C2 5109 B3 5112 A2 5119 B2 5123 C3 7112 B1 9103 A1 9106 B1 9109 C2



TUNER ADJUSTMENT TABLE (ECO6 Cenelec FM/MW - and FM/MW/LW - versions with AM-frame aerial)

Waverange	Input frequency	Input	Tuned to	Adjust	Output	Scope/Voltmeter
VARICAP ALIGNMENT						
FM 87.5 - 108MHz (50kHz grid)			108MHz	check		8V ±1.2V
			87.5MHz	check		1.6V ±0.5V
MW 531 - 1602kHz (9kHz grid)			1602kHz	5123	1	8V ±0.2V 3-band 6.9V ±0.2V 2-band
			531kHz	check		1.1V ±0.4V
LW 153 - 279kHz (3kHz grid)			279kHz	5122		8V ±0.2V
			153kHz	check		1.1V ±0.4V
FM - IF						
FM	10.7MHz, 45mV continuous wave	D		5119	2	0mV ±3mV
FM - VCO						
FM	98MHz, 1mV continuous wave	A	98MHz	3142	3	152kHz ±1kHz ¹⁾
FM RF (channel separation) Note: The FM-frontend unit has already been adjusted by the factory and needs therefore no further adjustments for service purposes.						
FM	98MHz, 1mV 90% Left + 9% pilot mod=1kHz	A	98MHz	IF coil inside FM frontend 1110	4	right channel min.
AM IF						
MW	450kHz connect pin 6 of IC 7101 (AM Osc.) with 3.3kΩ to Vcc	C $\Delta f = \pm 10\text{kHz}$ $V_{RF} = 0.5\text{mV}$ (as low as possible)		5111	5	
				5112		
AM AFC MW		C continuous wave $V_{RF} = 2\text{mV}$		5114	2	0mV ±2mV
AM RF³⁾						
MW	1494kHz	B 	1494kHz	2106	5	
	558kHz		558kHz	5102		
LW	198kHz		198kHz	5103		

Use Service Testprogram. By selecting the TUNER TEST test frequencies will be stored as preset frequencies automatically.

1) If sensitivity of frequency counter is too low adjust to max. channel separation (input signal: stereo left 90% + 9%, adjust output on right channel to minimum)

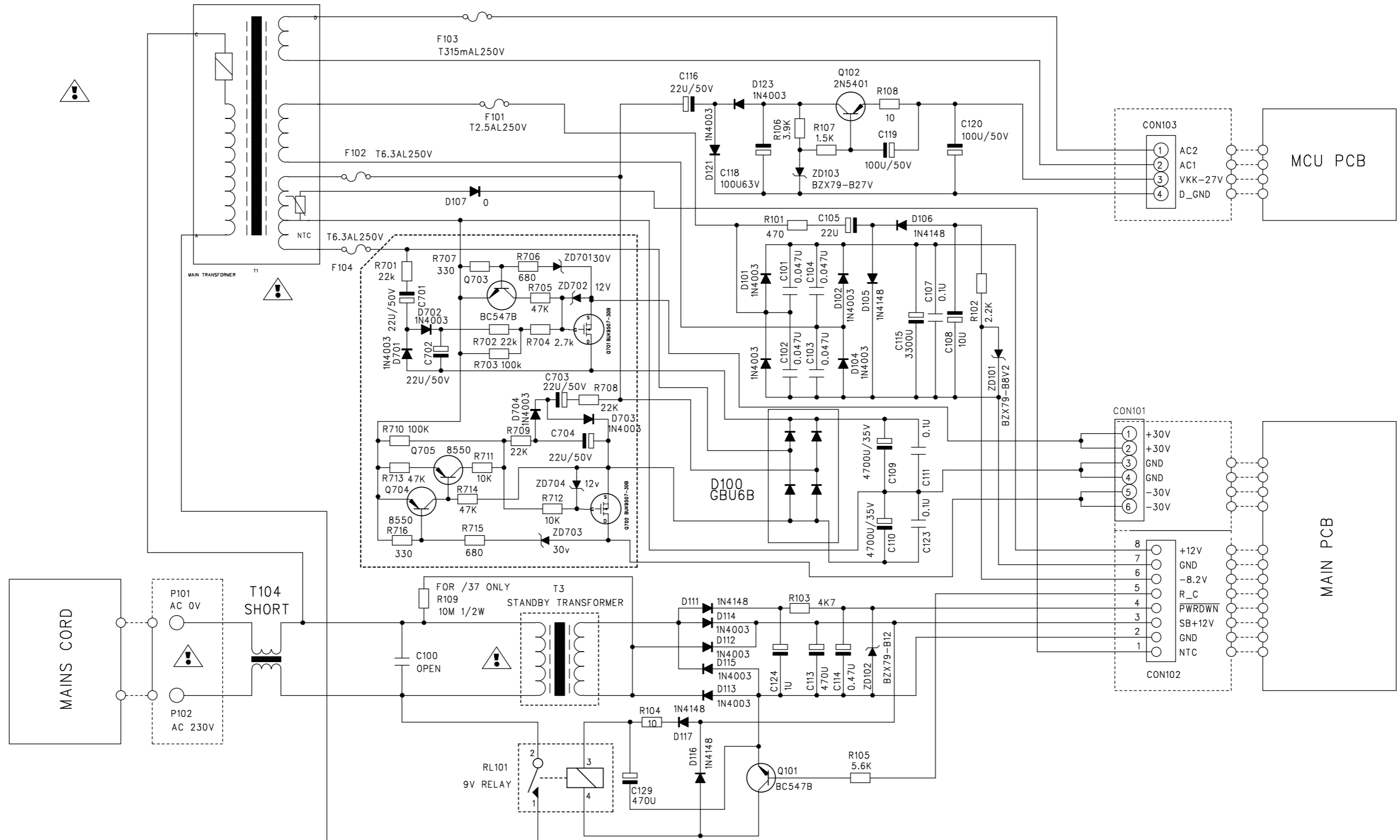
2) RC network serves for damping the IF-filter while adjusting the other one.

3) For AM RF adjustments the original frame antenna has to be used!
 MW has to be aligned before LW.

↑ Repeat

CIRCUIT DIAGRAM - RECTIFIER BOARD

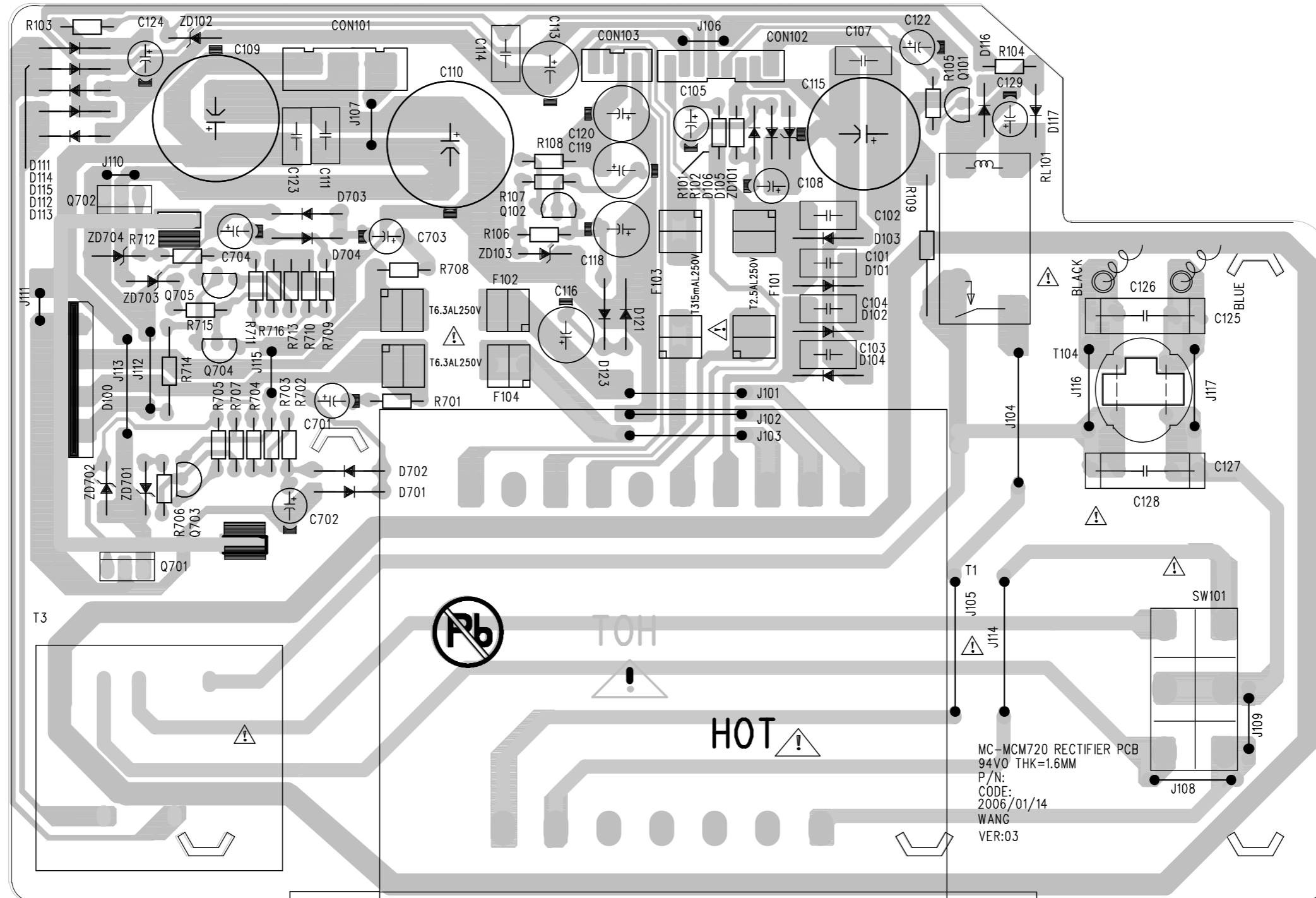
CAUTION: SAFETY USE ONLY THOSE DESCRIBED IN PART LIST
BECAUSE THE COMPONENTS MARKED BY



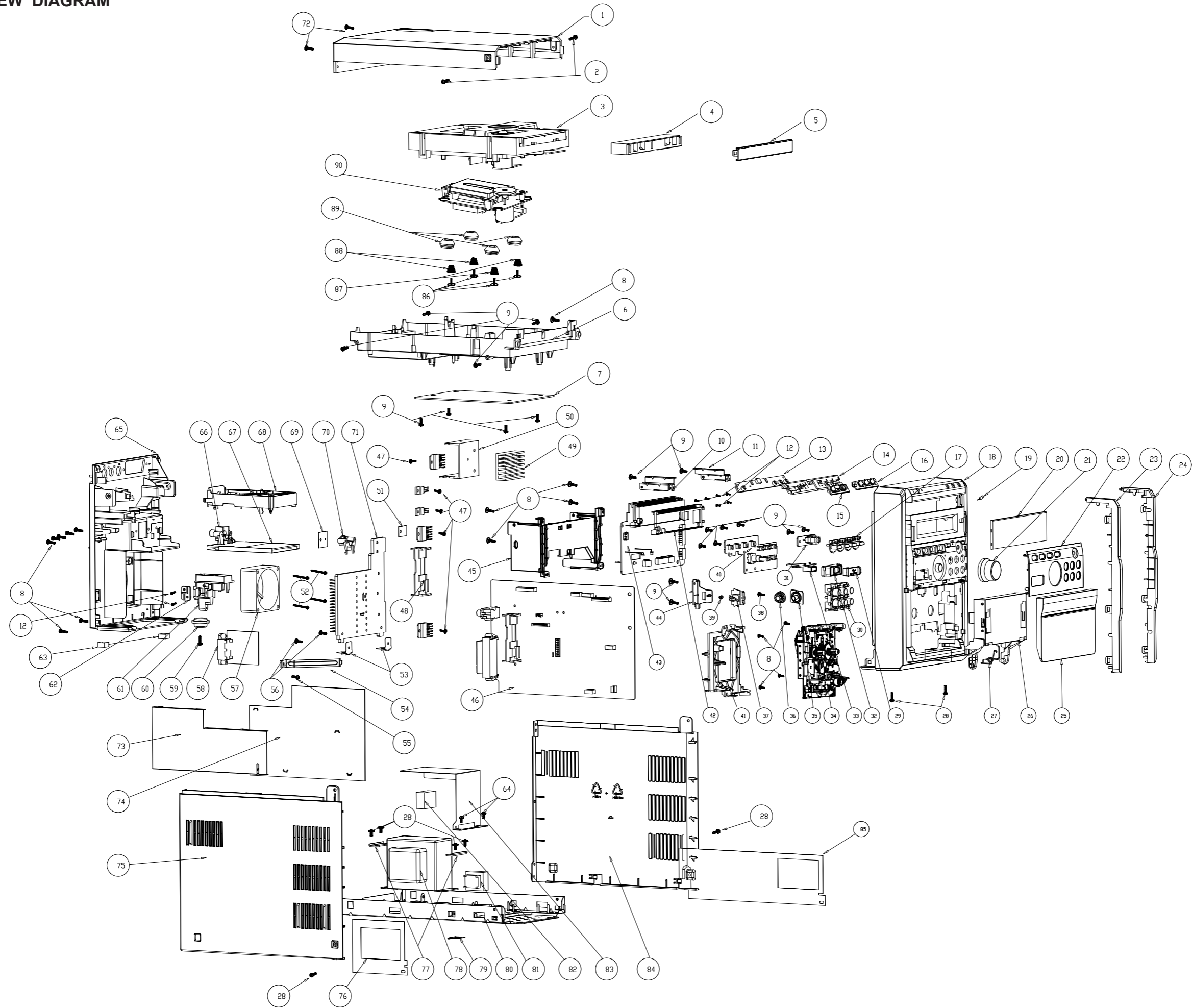
REMARK:

- 1 - ALL RESISTANCE VALUES ARE INDICATED IN "ohm".
(k = 1,000ohm; M = 1,000,000ohm.)
- 2 - ALL CAPACITANCE VALUES ARE INDICATED IN "F".
(U = 0.000001F; P = 0.000001UF.)


LAYOUT DIAGRAM - RECTIFIER BOARD



EXPLODED VIEW DIAGRAM



MECHANICAL PARTSLIST

1	996510002333	TOP CABINET
3	996510000871	CD TRAY LOADER
4	996510002348	BRACKET CD DOOR
5	996510002345	CD DOOR
6	996510002349	CD TRAY
14	996510002347	BRACKET -TOP BUTTON
15	996510002338	POWER KEY
16	996510002341	TOP KEY CLUSTER BUTTONS
17	996510002339	MODE KEY CLUSTER BUTTONS
18	996510002332	FRONT CABINET
19	996510002342	POWER LENS
20	996510002343	DISPLAY LENS
21	996510002337	VOLUME KNOB
22	996510002344	CONTROL PANEL
25	996510002346	CASSETTE DOOR
26	994000004801	BRACKET - CASSETTE DOOR
27	996510002331	CASSETTE DOOR SPRING
30	996510002340	CD CONTROL KEY CLUSTER BUTTONS
34	994000001434	CASS DECK MECHANISM W991S
35	994000001409	CD DOOR GEAR HOLDER
36	996510002350	CASSETTE DOOR DAMPING GEAR
57	994000003257	DC BRUSHLESS FAN JD6025MS11150W0
63	994000003234	RUBBER FOOT 11x11x6mm
65	996510002336	REAR CABINET
75	996510002334	LEFT CABINET
78	 994000005773	TRANSFORMER EI-76 230V 50HZ
84	996510002335	RIGHT CABINET
88	996510001074	CD SPRING DIM:0.5MM
89	996510001075	CD SPRING DIM:0.6MM
89	996510000868	CD DAMPER PINK 658F HARDNESS 40JIS
90	994000005786	CD MECHANISM DA11VF (SANYO)
	994000005777	SWITCH SPRING FOR PUSH LOCK SUS304

ACCESSORIES

SPEA	996510002351	WOODEN SPEAKER (LEFT+RIGHT) ONE SET
RC	996510002352	REMOTE CONTROL FOR #MCM726
ANT	994000003268	PIG TAIL ANTENNA WIRE BLACK
AML	994000001419	AM LOOP FRAME ASSY INJ. BLACK
ACL	994000001451	6 FEET VDE APPROVED POWER CORD

Note: Only these parts mentioned in the list are normal service parts.

ELECTRICAL PARTSLIST - MAIN BOARD**- IC & TRANSISTORS -**

IC501	994000003198	IC HEF4069UBT SOT108-1 SMT
IC401	994000003199	I.C. HEF4094BT
IC403	994000003199	I.C. HEF4094BT
IC801	996500039259	I.C. PT4800(L) DIP-8 PIN
IC402	994000003201	I.C. TC4052BF SWITCHING
IC203	996510002327	I.C.KIA7806API-U/P TO-220IS
IC201	994000005724	I.C. VOL. REGULATOR LD1117AL-3.3V-D
IC701	994000005726	IC TDA7296 MULTIWATT15V
IC702	994000005726	IC TDA7296 MULTIWATT15V
Q203	994000001436	TRANSISTOR 2SB1566-F LEAD FREE
Q208	994000005727	TRANSISTOR 2SB562C TO-92MOD
Q408	994000005729	TRANSISTOR KTA1273 TO-92L
Q402	996500004928	TRANSISTOR ON4986 (9340-447-50126)
Q403	996500004928	TRANSISTOR ON4986 (9340-447-50126)
Q404	996500004928	TRANSISTOR ON4986 (9340-447-50126)
Q405	996500004928	TRANSISTOR ON4986 (9340-447-50126)

- MISCELLANEOUS -

	996510002328	16P FFC CABLE 100MM P=1.0MM WHITE
	994000003259	6P FFC CABLE L=120MM
	994000005767	20 PINS FFC CABLE TYPE A
	994000005768	FFC CABLE 12PINS L=180M
	994000003263	FFC CABLE 180MM 7P WHITE TYPE B
	994000005769	8PINS FFC CABLE L=190MM
PCB7	996510002326	MCM726 MAIN PCB ASSY

Note: Only these parts mentioned in the list are normal service parts.

ELECTRICAL PARTSLIST - CASSETTE BOARD

- MISCELLANEOUS -

	994000005719	I.C. SM AN17150A-E2V(MATJ)
	994000003199	I.C. HEF4094BT
	994000001433	TRANSISTOR (FET) J112
PCB1	994000003192	CASS PCB ASSY

Note: Only these parts mentioned in the list are normal service parts.

ELECTRICAL PARTSLIST - RECTIFIER BOARD

- MISCELLANEOUS -

PCB2	△	996510002317	RECIFIER PCB ASSY
	△	996510000389	FUSE 2.5A 250V D5X20MM GLASS
	△	994000003224	FUSE 6.3A 250V D5X20MM GLASS
	△	994000003225	FUSE 0.315A 250V D5X20MM GLASS
		994000003226	AC LINE FILTER 400UH +-30%
		994000001448	9V DC RELAY 10A ME-7-009-HL LEAD
		994000003228	TRANSISTOR 2N5401 TO-92 (WTC)
	△	994000005772	TRANS. 230V 50HZ 12V@0.1A EI-28

Note: Only these parts mentioned in the list are normal service parts.

ELECTRICAL PARTSLIST - C MUSIC BOARD

- IC & TRANSISTORS -

IC901	996510002330	IC PROGRAMMED FOR MCM726
U202	996510000738	IC EPROM FOR (MCM720) ICE27C512-70
U201	994000005747	IC OTI6888-G LQFP-64
IC907	994000005748	I.C. 74HC02DB SSOP14
IC906	994000005749	I.C. 74HC4094DB SSOP16
IC905	994000005751	I.C. 74HC4520DB SSOP16
IC908	996510001069	I.C. D6208 SOP8
IC902	994000005753	I.C. D9258PH (LEAD FREE)
IC903	994000003272	I.C. M24C01-RDW6T
IC904	994000003215	RDS IC SAA6581T/V1 SOT162-1
Q901	996510000378	TRANSISTOR BST50 (SMD) LEAD FREE
Q204	994000005729	TRANSISTOR KTA1273 TO-92L

- MISCELLANEOUS -

PCB8	996510002329	MCM726 C MUSIC ASSY
Y1	994000005741	CRYSTAL 14.318 MHZ 20PF +/-20PPM
X902	994000003208	CRYSTAL 32.768KHZ 12.5PF +/-10 PPM
X903	994000003209	CRYSTAL 4.332MHZ HC-49/S LEAD FREE
X901	994000005742	CRYSTAL 8.4672 MHZ 20PF+-30PPM

Note: Only these parts mentioned in the list are normal service parts.

ELECTRICAL PARTSLIST

PCB3	994000005732 994000005736 994000005737	TUNER P.C.B. ASSY I.C. TEA5762H/V1 LEAD FREE FM TUNER MODULE #MCM390
PCB4	996510002318	MCM726 TOP KEY PCB ASSY-1
LED701	994000005763	LED INDICATOR RED CL-3R4SD-16
SW701	996510002319	TACT SWITCH EVQ11L04M
SW703	996510002319	TACT SWITCH EVQ11L04M
SW704	996510002319	TACT SWITCH EVQ11L04M
SW705	996510002319	TACT SWITCH EVQ11L04M
PCB5	996510002320	MCM726 TOP KEY PCB ASSY-2
RS701	994000005759	INFRARED RECEIVER IRM502H-S
VFD701	994000005761	VFD DISPLAY
LED1	994000005762	LED BLUE (1L0345B22E0CB002)
LED2	994000005762	LED BLUE (1L0345B22E0CB002)
LED3	994000005762	LED BLUE (1L0345B22E0CB002)
U1	994000003214	VFD DRIVER IC PT6315 L.F.
LCD	994000005757	LCD BRACKET
PCB5	996510002321	MCM726 KEY PCB ASSY-1
HP801	996510002322	3.5MM STEREO JACK TC38-103-DG-010
Q801	996510002323	TRANSISTOR S8550 SMD TYPE
PCB6	996510002324	MCM726 KEY PCB ASSY-2
EN701	996510002325	ENCODER EC121102F2B-HA1-009
SW702	994000001444	TACT SWITCH TSA-065001-150
SW706	994000001444	TACT SWITCH TSA-065001-150
SW707	994000001444	TACT SWITCH TSA-065001-150
SW708	994000001444	TACT SWITCH TSA-065001-150
SW709	994000001444	TACT SWITCH TSA-065001-150
SW710	994000001444	TACT SWITCH TSA-065001-150
SW711	994000001444	TACT SWITCH TSA-065001-150
SW712	994000001444	TACT SWITCH TSA-065001-150
SW713	994000001444	TACT SWITCH TSA-065001-150
SW714	994000001444	TACT SWITCH TSA-065001-150

Note: Only these parts mentioned in the list are normal service parts.

層次	物品代碼	品名	BOM 位置
1	115MCM510V22C-MUS	MANUAL INSERTION ASSEMBLY 手插零件底板組裝	
2	115MCM510V22C-EET	PCBA ELECTRICAL PARTS PHANTOM 底板組裝電子料	
3	115MCM510V22C-ATS	AUTO INSERTION ASSEMBLY 機插零件底板組裝	
4	EPBMCM390L01A	CASS PCB PANEL T=1.6MM 94HB 底板	
3	A600041	BARE COPPER WIRE DIA:0.5MM (LB) 錫水銅線	Loc: 9701-9707.6770.R4
3	ECACD101G0603JCTA	CHIP CAP. 100PF50V (0603) J% NPO 微型电容	Loc: 2701-2704.2711.2712.2786.
3	ECACD102G0603KBTA	CHIP CAP. 1000PF50V (0603) K% Y5P 微型电容	Loc: 2621.2731.
3	ECACD103G0603KDTA	CHIP CAP. 0.01UF50V (0603) K% Y5R 微型电容	Loc: 2781
3	ECACD104D0603KDTA	CHIP CAP. 0.1UF16V (0603) K% Y5R 微型电容	Loc: 2625.2799.C1.C2.
3	ECACD105D0603KBTA	CHIP CAP. 1UF16V (0603) K% Y5P 微型电容	Loc: 2721.2722.2732.
3	ECACD152G0603KBTA	CHIP CAP. 1500PF50V (0603) K% Y5P 微型电容	Loc: 2790.2791.
3	ECACD221G0603JCTA	CHIP CAP. 220PF50V (0603) J% NPO 微型电容	Loc: 2725.2793.2794.
3	ECACD222G0603KDTA	CHIP CAP. 2200PF50V (0603) K% Y5R 微型电容	Loc: 2723.2769.2770.2724.2727.2728.
3	ECACD223E0603KDTA	CHIP CAP. 0.022UF25V (0603) K% Y5R 微型电容	Loc: 2729.2730.2743.2788.
3	ECACD332G0603KDTA	CHIP CAP. 3300PF50V (0603) K% Y5R 微型电容	Loc: 2709.2710.
3	ECACD333D0603KDTA	CHIP CAP. 0.033UF16V (0603) K% Y5R 微型电容	Loc: 2787.2789.2747.
3	ECACD471G0603JCTA	CHIP CAP. 470PF50V (0603) J% NPO 微型电容	Loc: 2622.2623.
3	ECACD472G0603KDTA	CHIP CAP. 4700PF50V (0603) K% Y5R 微型电容	Loc: 2782
3	ECAER105G5011MATA	AL.E.CAP 1UF 50V 5X11MM M% 85C TAPE 电解电容	Loc: 2768.2785.
3	ECAER106G5011MATA	AL.E.CAP 10UF 50V 5X11MM M% 85C TAPE 电解电容	Loc: 2798
3	ECAER226G5011MATA	AL.E.CAP 22UF 50V 5X11MM M% 85C TAPE 电解电容	Loc: 2797.2780.
3	ECAER227D6311MATA	AL.E.CAP 220UF 16V 6.3X11MM M% 85C TAPE 电解电容	Loc: 2761.2715.2716.
替代料	ECAER227D6311META	AL.E.CAP 220UF 16V 6.3X11MM M% 105C TAPE	Ref No:
3	ECAER476E5011MATA	AL.E.CAP 47UF 25V 5X11MM M% 85C TAPE 电解电容	Loc: 2796
3	ECAMR104L1012KATA	MYLAR 0.1UF100V 10X12MM K% 85C TAPE 聚酯薄膜电容	Loc: 2713.2714.
3	ECAMR682L6095KATA	MYLAR 6800PF100V 6X9.5MM K% 85C TAPE 聚酯薄膜电容	Loc: 2784
3	EDDEPTX79B8V2A	DIODE BZX79-B8V2 SOD27 TAPE FORM 二極管	Loc: 6777
3	EDDRPT1N4001ZA	DIODE 1N4001 TAPE FORM 二極管	Loc: 6612
3	EDDSPT1N4148ZA	DIODE 1N4148 TAPE FORM 二極管	Loc: 6772-6774.6776.6778.
3	EFTE140BK14A	AM OSC BLACK 10MM 中周	Loc: 5703
3	EJA163HR02PBD	2 PINS HEADER P=2.0MM STRAIGHT TYPE 插座	Loc: 1703
3	EJA250FR07PBA	7P FPC CONNECTOR P=1.25MM 插座	Loc: 1701.1706.
3	ENCDTAN17150ATAA	I.C. SM AN17150A-E2V(MATJ) R (PANASONIC) 集成塊	Loc: 7720
3	ENCDFHEF4094BTZA	I.C. HEF4094BT 集成塊	Loc: 7610
3	ENDX222K03R2TA	AXIAL INDUCTOR 2.2UF K% D3.2MM 电阻型电感	Loc: 5701
3	ERECD0R0010JBTA	CHIP RESISTOR 0OHM 1/10 W J% (0603) 微型电阻	
3	ERECD100K10JBTA	CHIP RESISTOR 100 KOHM 1/10 W J% (0603) 微型电阻	Loc: 3624.3628.
3	ERECD100R10JBTA	CHIP RESISTOR 100OHM 1/10 W J% (0603) 微型电阻	Loc: 3711.3712.
3	ERECD10K010JBTA	CHIP RESISTOR 10 KOHM 1/10 W J% (0603) 微型电阻	Loc: 3768
3	ERECD120K10JBTA	CHIP RESISTOR 120 KOHM 1/10 W J% (0603) 微型电阻	Loc: 3610
3	ERECD120R10JBTA	CHIP RESISTOR 120OHM 1/10 W J% (0603) 微型电阻	Loc: 3749.3750.
3	ERECD150R10JBTA	CHIP RESISTOR 150OHM 1/10 W J% (0603) 微型电阻	Loc: 3777
3	ERECD15K010JBTA	CHIP RESISTOR 15 KOHM 1/10 W J% (0603) 微型电阻	Loc: 3772
3	ERECD180R10JBTA	CHIP RESISTOR 180OHM 1/10 W J% (0603) 微型电阻	Loc: 3764
3	ERECD18K010JBTA	CHIP RESISTOR 18 KOHM 1/10 W J% (0603) 微型电阻	Loc: 3774
3	ERECD1K0010JBTA	CHIP RESISTOR 1 KOHM 1/10 W J% (0603) 微型电阻	Loc: 3737.3738.3626.
3	ERECD1K2010JBTA	CHIP RESISTOR 1.2 KOHM 1/10 W J% (0603) 微型电阻	Loc: 3746.3745.3771.
3	ERECD1K5010JBTA	CHIP RESISTOR 1.5 KOHM 1/10 W J% (0603) 微型电阻	Loc: 3770
3	ERECD1M0010JBTA	CHIP RESISTOR 1 MOHM 1/10 W J% (0603) 微型电阻	Loc: 3780
3	ERECD22K010JBTA	CHIP RESISTOR 22 KOHM 1/10 W J% (0603) 微型电阻	3735.3736.3769.3790.3800.3786.R2
3	ERECD27K010JBTA	CHIP RESISTOR 27 KOHM 1/10 W J% (0603) 微型电阻	Loc: 3733.3734.3608.3791.3723.3724
3	ERECD2K2010JBTA	CHIP RESISTOR 2.2 KOHM 1/10 W J% (0603) 微型电阻	Loc: 3607.3609.3611.3630.
3	ERECD300R10JBTA	CHIP RESISTOR 300OHM 1/10 W J% (0603) 微型电阻	Loc: 3801
3	ERECD330K10JBTA	CHIP RESISTOR 330 KOHM 1/10 W J% (0603) 微型电阻	Loc: 3779
3	ERECD33R010JBTA	CHIP RESISTOR 33OHM 1/10 W J% (0603) 微型电阻	Loc: 3709.3710.
3	ERECD47K010JBTA	CHIP RESISTOR 47 KOHM 1/10 W J% (0603) 微型电阻	3739.3740.3678.3680.3789.3686.3614.R1
3	ERECD4M7010JBTA	CHIP RESISTOR 4.7 MOHM 1/10 W J% (0603) 微型电阻	Loc: 3796.3781.
3	ERECD4R7010JBTA	CHIP RESISTOR 4.7OHM 1/10 W J% (0603) 微型电阻	Loc: 3775
3	ERECD56K010JBTA	CHIP RESISTOR 56 KOHM 1/10 W J% (0603) 微型电阻	Loc: 3743.3744.3612.3797.
3	ERECD680R10JBTA	CHIP RESISTOR 680OHM 1/10 W J% (0603) 微型电阻	Loc: 3762
3	ERECD6K8010JBTA	CHIP RESISTOR 6.8 KOHM 1/10 W J% (0603) 微型电阻	Loc: 3776
3	ERECR1K8006JLTA	CARBON RESISTOR 1.8 K OHM 1/6 W J% TAPE 碳膜电	Loc: 6771
3	ERECR22R006JLTA	CARBON RESISTOR 22 OHM 1/6 W J% TAPE 碳膜电阻	Loc: 3778
3	ETRDT8050MZZA	TRANSISTOR 8050M 三極管	Loc: 7789.7790.
3	ETRDT8550LT1A	TRANSISTOR S8550 SMD TYPE 三極管	Loc: 7614.
3	ETRDTBC81725A	TRANSISTOR BC817-25 SOT23 三極管	Loc: 7781
3	ETRDTBC847BLA	TRANSISTOR BC847B (SMD) LEAD FREE 三極管	7788.7624.7780.7783.7618.7620.Q1
替代料	ETRDTBC847BZA	TRANSISTOR BC847B	Ref No:

3	ETRDTCB857BLA	TRANSISTOR BC857B (SMD) LEAD FREE 三極管	Loc: 7784
替代料	ETRDTCB857BZA	TRANSISTOR BC857B	Ref No:
3	ETRPT8550CTZA	TRANSISTOR KTC-8550C(KEC) 三極管	Loc: 7612
3	ETRPTBC557BZA	TRANSISTOR BC557B TAPE FORM 三極管	Loc: 7782
3	ETRPTJ112ZZZA	TRANSISTOR (FET) J112 三極管	Loc: 7786
3	EWRW050F08GY26LCF	8PINS HOU'G P=2MM L=50MM UL2651 AWG#26 組裝線	Loc: 1760 TO LOGIC DECK
3	EWRW170F05AS30NCF	5 PINS HOU'G ASSY SHIELD P=2MM L=170MM 組裝線	Loc: 1710 TO HEAD
2	115MCM510V22C-MEH	MECHANICAL PARTS PHANTOM 五金件	
1	115MCM720V12F-MUS	MANUAL INSERTION ASSEMBLY 手插零件底板組裝	
2	115MCM720V12F-EET	PCBA ELECTRICAL PARTS PHANTOM 底板組裝電子料	
3	115MCM720V12F-ATS	AUTO INSERTION ASSEMBLY 機插零件底板組裝	
4	EPBMCM515F00A	MCM515 RECIFIER PCB T:1.6MM 94V0 底板	
3	A600041	BARE COPPER WIRE DIA:0.5MM (LB) 錫水銅線	Loc: J101-J112 D117 R104
3	ECACR104G70ZZZFTA	CERAMIC CAPACITOR 0.1UF 50V Z TAPE FORM 陶瓷電容	Loc: C111.C107.C123
3	ECACR107J1013MATA	ELECT.CAPACITOR 100UF 63V 10X13MM 電解電容	Loc: C118.
3	ECACR473G50ZZZFTA	CERAMIC CAP 0.047UF 50V D5MM Z% Y5V TAPE 陶瓷電	Loc: C101.C102.C103.C104.C114
3	ECAER106D5011MATA	AL.E.CAP 10UF 16V 5X11MM M% 85C TAPE 電解電容	Loc: C108.
3	ECAER107G8012MATA	AL.E.CAP 100UF 50V 8X12MM M% 85C TAPE 電解電容	Loc: C119,C120
3	ECAER226D5011MATA	AL.E.CAP 22UF 16V 5X11MM M% 85C TAPE 電解電容	Loc: C105
3	ECAER226G5011MATA	AL.E.CAP 22UF 50V 5X11MM M% 85C TAPE 電解電容	Loc: C116
3	ECAER335G5011MATA	AL.E.CAP 3.3UF 50V 5X11MM M% 85C TAPE 電解電容	Loc: C124
3	ECAER338E1627MABA	AL.E.CAP 3300UF 25V 16X27MM M% 85C 電解電容	Loc: C115
3	ECAER477E8016MABA	AL.E.CAP 470UF 25V 8X16MM M% 85C 電解電容	Loc: C113
3	ECAER478F1836MABA	ELECT. CAPACITOR 4700UF 35V 18X36MM 電解電容	Loc: C109,C110
3	EDDEPTC79B12VA	DIODE BZX79-B12V TAPE FORM 二極管	Loc: ZD102
3	EDDEPTTC15VZZA	ZENER DIODE 15V 1/2W DO-35 TAPE FORM 二極管	Loc: ZD1
3	EDDEPTTC30VZZA	ZENER DIODE 30V 1/2W DO-35 TAPE FORM 二極管	Loc: ZD103
3	EDDEPTX79B8V2A	DIODE BZX79-B8V2 SOD27 TAPE FORM 二極管	Loc: ZD101
3	EDDRPBGUB6BZZA	DIODE BRIDGE RECTIFIER GBU6B 二極管	Loc: D100
3	EDDRPT1N4003ZA	DIODE 1N4003 TAPE FORM 二極管	
3	EDDSPT1N4148ZA	DIODE 1N4148 TAPE FORM 二極管	Loc: D106.D111.D105.D116
3	EFUBG2A5252BA	FUSE 2.5A 250V D5X20MM GLASS UL/CSA/VDE 保險絲	Loc: F101
3	EFUTG6A3250BA	FUSE 6.3A 250V D5X20MM GLASS (LEAD FREE) 保險絲	Loc: F102.F104
3	EFUTGA31250BA	FUSE 0.315A 250V D5X20MM GLASS 保險管	Loc: F103
3	EJA164HR04PBC	4 PINS HEADER P=2.0MM (STRAIGHT TYPE) 插座	Loc: CON103
3	ENDC404R1612BA	AC LINE FILTER 400UH +-30% 電源濾波器	Loc: T104
3	ERECR10R006JLTA	CARBON RESISTOR 10 OHM 1/6 W J% TAPE 碳膜電阻	Loc: R108
3	ERECR1K5006JLTA	CARBON RESISTOR 1.5 K OHM 1/6 W J% TAPE 碳膜電	Loc: R107
3	ERECR220R06JLTA	CARBON RESISTOR 220 OHM 1/6 W J% TAPE 碳膜電阻	Loc: R1
3	ERECR2K2006JLTA	CARBON RESISTOR 2.2 K OHM 1/6 W J% TAPE 碳膜電	Loc: R102
3	ERECR3K9006JLTA	CARBON RESISTOR 3.9 K OHM 1/6 W J% TAPE 碳膜電	Loc: R106
3	ERECR470R06JLTA	CARBON RESISTOR 470 OHM 1/6 W J% TAPE 碳膜電阻	Loc: R101
3	ERECR4K7006JLTA	CARBON RESISTOR 4.7 K OHM 1/6 W J% TAPE 碳膜電	Loc: R103
3	ERECR5K6006JLTA	CARBON RESISTOR 5.6 K OHM 1/6 W J% TAPE 碳膜電	Loc: R105
3	ERL00209A	9V DC RELAY 10A ME-7-009-HL LEAD 繼電器	Loc: RL101
3	ETRPT2N5401ZA	TRANSISTOR 2N5401 TO-92 (WTC) TAPE FORM 三極管	Loc: Q102
3	ETRPT8050CTZA	TRANSISTOR KTC-8050C(KEC) 三極管	Loc: Q1
3	ETRPTBC547BLA	TRANSISTOR BC547B (LEAD FREE) TAPE FORM 三極管	Loc: Q101
3	EWRW190F08GY26LCC	(SHS) WIRE ASSY 8 PINS L=190MM P=2.0MM 組裝線	Loc: CON102
3	EWRW190G06BU22HKF	(JING SHI) 6PINS WIRE ASSY L=190MM 組裝線	
替代料	EWRW190G06BU22HKQ	(HE HUI) 6PINS WIRE ASSY L=190MM P=2.5MM	Ref No:
3	EXF143C12A10V28A	TRANSFORMER 230V 50HZ 12V@0.1A EI-28 變壓器	
2	115MCM720V12F-MEH	MECHANICAL PARTS PHANTOM 五金件	
3	MMPPEL020040CAA	EYELET 2.0 X 4MM 雞眼	Loc: 2-FOR POWER CORD
3	MMPFHAIJ3950AA	FUSE HOLDER (779-5312-011) 保險絲座	
3	MMPHSMCM510AA	HEAT SINK (A) 小散熱片	
3	MMPSS30100WANAAA	SELF-TAPPING SCREW W/WASHER 自攻螺絲	
1	115MCM720V12G-MUS	MANUAL INSERTION ASSEMBLY 手插零件底板組裝	
2	115MCM720V12G-EET	PCBA ELECTRICAL PARTS PHANTOM 底板組裝電子料	
3	115MCM720V12G-ATS	AUTO INSERTION ASSEMBLY 機插零件底板組裝	
4	EPBMCM510G00A	TUNER P.C.B. T+1.6MM 94HB @ 1/4 底板	
3	A600041	BARE COPPER WIRE DIA:0.5MM (LB) 錫水銅線	Loc: 9101-9106.9107-9111.
3	ECACD100G0603JCTA	CHIP CAP. 10PF50V (0603) J% NPO 微型電容	Loc: 2109
3	ECACD101G0603JCTA	CHIP CAP. 100PF50V (0603) J% NPO 微型電容	Loc: 2108
3	ECACD102G0603KBITA	CHIP CAP. 1000PF50V (0603) K% Y5P 微型電容	Loc: 2166
3	ECACD103G0603KDTA	CHIP CAP. 0.01UF50V (0603) K% Y5R 微型電容	Loc: 2180
3	ECACD104D0603KDTA	CHIP CAP. 0.1UF16V (0603) K% Y5R 微型電容	Loc: 2102.2141.2150.2163.2165.
3	ECACD120G0603JCTA	CHIP CAP. 12PF50V (0603) J% NPO 微型電容	Loc: 2167
3	ECACD153G0603KDTA	CHIP CAP. 0.015UF50V (0603) K% Y5R 微型電容	Loc: 2134.2135.
3	ECACD220G0603JCTA	CHIP CAP. 22PF50V (0603) J% NPO 微型電容	Loc: 2120

3	ECACD221G0603JCTA	CHIP CAP. 220PF50V (0603) J% NPO 微型电容	Loc: 2145.2146.2147.
3	ECACD222G0603KDTA	CHIP CAP. 2200PF50V (0603) K% Y5R 微型电容	Loc: 2148.2130.
3	ECACD224D0603KBTA	CHIP CAP. 0.22UF16V (0603) K% Y5P 微型电容	Loc: 2127.2136.2137.2143.2105
3	ECACD330G0603JCTA	CHIP CAP. 33PF50V (0603) J% NPO 微型电容	Loc: 2149.2159.
3	ECACD331G0603JCTA	CHIP CAP. 330PF50V (0603) J% NPO 微型电容	Loc: 2199.2123
3	ECACD332G0603KDTA	CHIP CAP. 3300PF50V (0603) K% Y5R 微型电容	Loc: 2122.2169.
3	ECACD3R0G0603CCCTA	CHIP CAP. 3PF50V (0603) C% NPO 微型电容	Loc: 2140
3	ECACD474D0603ZFTA	CHIP CAP. 0.47UF16V (0603) Z% Y5V 微型电容	Loc: 2131.2132.2164.
3	ECACD561G0603JCTA	CHIP CAP. 560PF50V (0603) J% NPO 微型电容	Loc: 2125
3	ECACD681E0603JCTA	CHIP CAP. 680PF25V (0603) J% NPO 微型电容	Loc: 2198
3	ECAER105G5011MATA	AL.E.CAP 1UF 50V 5X11MM M% 85C TAPE 电解电容	Loc: 2133.2144.
3	ECAER106G5011MATA	AL.E.CAP 10UF 50V 5X11MM M% 85C TAPE 电解电容	Loc: 2128
3	ECAER107D5011MATA	AL.E.CAP 100UF 16V 5X11MM M% 85C TAPE 电解电容	Loc: 2129.2191.
3	ECAER225G5011MATA	AL.E.CAP 2.2UF 50V 5X11MM M% 85C TAPE 电解电容	Loc: 2138
3	ECAER226G5011MATA	AL.E.CAP 22UF 50V 5X11MM M% 85C TAPE 电解电容	Loc: 2162
3	ECAMR224L1214KATA	MYLAR 0.22UF100V 12.5X14.5MM K% 85C TAPE 聚酯薄膜	Loc: SOLDER TO FM JACK GND
3	ECAPR105J7311JHBB	POLYESTER 1UF63V 7.3X11MM J% 100C 聚酯电容	Loc: 2107
3	ECAVR100L6060PTBA	TRIMMER CAP CTC-10PF N450 WHITE COL. 可变电容	Loc: 2106
3	ECF017AT10M70BA	FM CERAMIC FILTER SFELA10M7HA00-B0 陶瓷滤波器	Loc: 5109.5110.
替代料	ECF018AT10M70TA	FM CERAMIC FILTER SFELA10M7HA00-A0	Ref No:
3	ECF106AR10M70BA	FM CERAMIC DISCRIMINATOR 2 PINS 陶瓷鉴频器	Loc: 5119
3	ECRR75K000D20CBA	CRYSTAL 75KHZ 20PF +-20PPM (2X6)MM 晶体	Loc: 5121
3	EDDEDTBZX284CA	DIODE BZX284-C11 二极管	Loc: 6107
3	EDDSDTBAS216ZA	SWITCHING DIODE BAS216 二极管	Loc: 6106.6120.
3	EDDTHN1V02HA	DIODE HN1V02H-B 二极管	Loc: 6105
3	EFTC157YL70A	AM IFT YELLOW 7MM 中周	Loc: 5112.5114.
3	EFTC158BK70A	AM IFT BLACK 7MM 中周	Loc: 5111
3	EFTE139BK70A	AM OSC BLACK 7MM 中周	Loc: 5102
3	EFTE147BN70A	AM OSC BROWN 7MM 中周	Loc: 5122.5123.
3	EFTL4PK70A	LW OSC PINK 7MM 中周	Loc: 5103
3	EFTP002BK70A	LOW PASS FILTER BLACK 7MM 中周	Loc: 5115
3	EJA225HR02PBPA	2 PINS HEADER P=2.5MM RIGHT ANGLE 插座	Loc: 1103
3	EJA243ER9R5BA	9.5MM FM ANT. JACK 75 OHM IF-01 插座	Loc: 1102
3	EJA244FR08PBPA	8 PIN FFC SOCKET P=1.25MM 1.25-2-8P 插座	Loc: 1120
3	ENCDRTEA5762HV1A	I.C. TEA5762HV1 LEAD FREE 集成块	Loc: 7101
3	ERECD0R0008JCTA	CHIP RESISTOR 00HM 1/8 W J% (0805) 微型电阻	Loc: 5118 TO 2139
3	ERECD0R0010JBTA	CHIP RESISTOR 00HM 1/10 W J% (0603) 微型电阻	Loc: 4105.4106.4107
3	ERECD100R10JBTA	CHIP RESISTOR 100OHM 1/10 W J% (0603) 微型电阻	Loc: 3195
3	ERECD10K010JBTA	CHIP RESISTOR 10 KOHM 1/10 W J% (0603) 微型电阻	Loc: 3125.3150.3180.
3	ERECD120R10JBTA	CHIP RESISTOR 120OHM 1/10 W J% (0603) 微型电阻	Loc: 3167.3191.3190.3168.
3	ERECD150K10JBTA	CHIP RESISTOR 150 KOHM 1/10 W J% (0603) 微型电阻	Loc: 3169
3	ERECD150R10JBTA	CHIP RESISTOR 150OHM 1/10 W J% (0603) 微型电阻	Loc: 3155
3	ERECD1K0010JBTA	CHIP RESISTOR 1 KOHM 1/10 W J% (0603) 微型电阻	Loc: 3135.3144.
3	ERECD220R10JBTA	CHIP RESISTOR 220OHM 1/10 W J% (0603) 微型电阻	Loc: 3105
3	ERECD22K010JBTA	CHIP RESISTOR 22 KOHM 1/10 W J% (0603) 微型电阻	Loc: 3161.3134.3137.3143.
3	ERECD22R010JBTA	CHIP RESISTOR 22OHM 1/10 W J% (0603) 微型电阻	Loc: 3146
3	ERECD2K2010JBTA	CHIP RESISTOR 2.2 KOHM 1/10 W J% (0603) 微型电阻	Loc: 3194.3128.3145.3108.
3	ERECD330R10JBTA	CHIP RESISTOR 330OHM 1/10 W J% (0603) 微型电阻	Loc: 3154.3192.3193.
3	ERECD33K010JBTA	CHIP RESISTOR 33 KOHM 1/10 W J% (0603) 微型电阻	Loc: 3176
3	ERECD470R10JBTA	CHIP RESISTOR 470OHM 1/10 W J% (0603) 微型电阻	Loc: 3152.3153.3158.3159.3160.
3	ERECD47K010JBTA	CHIP RESISTOR 47 KOHM 1/10 W J% (0603) 微型电阻	Loc: 3171
3	ERECD47R010JBTA	CHIP RESISTOR 47OHM 1/10 W J% (0603) 微型电阻	Loc: 3132
3	ERECD4K7010JBTA	CHIP RESISTOR 4.7 KOHM 1/10 W J% (0603) 微型电阻	Loc: 3123.3109.
3	ERECD5K6010JBTA	CHIP RESISTOR 5.6 KOHM 1/10 W J% (0603) 微型电阻	Loc: 3172
3	ERECD68K010JBTA	CHIP RESISTOR 68 KOHM 1/10 W J% (0603) 微型电阻	Loc: 3151
3	ERECD75K010JBTA	CHIP RESISTOR 75 KOHM 1/10 W J% (0603) 微型电阻	Loc: 3141
3	ERECD820R10JBTA	CHIP RESISTOR 820OHM 1/10 W J% (0603) 微型电阻	Loc: 3130.3131.
3	ETMMCM390AA	FM TUNER MODULE #MCM390 收音器	Loc: 1110
替代料	ETMMCM390BA	TUNER MODULE #MCM390 FE450-G01	Ref No:
3	ETRDTC847CLA	TRANSISTOR BC847C LEAD FREE 三极管	Loc: 7122.7124.
替代料	ETRDTC847CZA	TRANSISTOR BC847C	Ref No:
3	ETRDTC857BLA	TRANSISTOR BC857B (SMD) LEAD FREE 三极管	Loc: 7109.7110.
替代料	ETRDTC857BZA	TRANSISTOR BC857B	Ref No:
3	ETRDTC857CLA	TRANSISTOR BC857C LEAD FREE 三极管	Loc: 7103
替代料	ETRDTC857CZA	TRANSISTOR BC857C	Ref No:
3	ETRPBBC547CLA	TRANSISTOR BC547C LEAD FREE 三极管	Loc: 7112
3	ETRPTBC33740A	TRANSISTOR BC337-40 TAPE FORM 三极管	Loc: 7104.7105.
3	EVLCH503BMG637VA	SEMI-FIXED RESISTOR VR50K 6MM 3P 可调电阻	Loc: 3142
3	EWRU130Z01BK26ADA	UL WIRE 130MM BLACK AWG#26 UL 线	
替代料	EWRU140Z01BK26ADA	UL WIRE 140MM BLACK AWG#26	Ref No:

3	EWRW230Z01BK22ADA	WIRE ASSY L=230MM BLACK AWG#22 組裝線	Loc: 1102 HOLE
2	115MCM720V12G-MEH	MECHANICAL PARTS PHANTOM 五金件	
3	MMPSS30100BABA	SELF-TAPPING SCREW PTTB3010 BK ZN 自攻螺絲	Loc: 1-ANTENNA TO TUNER BRACKET
3	PMCM51044GZZZA	BRACKET-TUNER - INJ HIPS 天線支架	
1	115MCM726V12A-MUS	MANUAL INSERTION ASSEMBLY 手插零件底板組裝	
2	115MCM726V12A-EET	PCBA ELECTRICAL PARTS PHANTOM 底板組裝電子料	
3	115MCM726V12A-ATS	AUTO INSERTION ASSEMBLY 機插零件底板組裝	
4	EPBMC726T00A	MCM726 TOP KEY PCB T=1.6MM 底板	
3	ECACD102G0603KBTA	CHIP CAP. 1000PF50V (0603) K% Y5P 微型電容	
3	ELERRDC3R4SDA	LED INDICATOR RED 4.3X2.98 CL-3R4SD-16 指示燈	
3	ERECD1K0010JBTA	CHIP RESISTOR 1 KOHM 1/10 W J% (0603) 微型電阻	
3	ERECD1K5010JBTA	CHIP RESISTOR 1.5 KOHM 1/10 W J% (0603) 微型電阻	
3	ERECD270R10JBTA	CHIP RESISTOR 270OHM 1/10 W J% (0603) 微型電阻	
3	ERECD330R10JBTA	CHIP RESISTOR 330OHM 1/10 W J% (0603) 微型電阻	
3	ERECD430R10JBTA	CHIP RESISTOR 430 OHM 1/10 W J% (0603) 微型電阻	
3	ERECD470R10JBTA	CHIP RESISTOR 470OHM 1/10 W J% (0603) 微型電阻	
3	ERECD4K7010JBTA	CHIP RESISTOR 4.7 KOHM 1/10 W J% (0603) 微型電阻	
3	ERECD680R10JBTA	CHIP RESISTOR 680OHM 1/10 W J% (0603) 微型電阻	
3	ESWTPEVQ11L04A	TACT SWITCH EVQ11L04M 輕觸開關	
3	EWRW220F06GY26LCV	(HING FUNG) ASS'Y WIRE 6P 220MM 組裝線	
2	115MCM726V12A-MEH	MECHANICAL PARTS PHANTOM 五金件	
1	115MCM726V12C-MUS	MANUAL INSERTION ASSEMBLY 手插零件底板組裝	
2	115MCM726V12C-EET	PCBA ELECTRICAL PARTS PHANTOM 底板組裝電子料	
3	115MCM726V12C-ATS	AUTO INSERTION ASSEMBLY 機插零件底板組裝	
4	EPBMC726K00A	MCM726 KEY PCB T=1.6MM 94V0 SINGLE SIDE 底板	
3	EJA531SR3R5BA	3.5MM STEREO JACK TC38-103-DG-010 插座	
3	ERECD100K10JBTA	CHIP RESISTOR 100 KOHM 1/10 W J% (0603) 微型電阻	
3	ERECD10K010JBTA	CHIP RESISTOR 10 KOHM 1/10 W J% (0603) 微型電阻	
3	ETRDT8550LT1A	TRANSISTOR S8550 SMD TYPE 三極管	
3	EWRW190F05GY26LCC	5P HOU'G ASSY P=2MM L=190MM 組裝線	
2	115MCM726V12C-MEH	MECHANICAL PARTS PHANTOM 五金件	
1	115MCM726V12D-MUS	MANUAL INSERTION ASSEMBLY 手插零件底板組裝	
2	115MCM726V12D-EET	PCBA ELECTRICAL PARTS PHANTOM 底板組裝電子料	
3	115MCM726V12D-ATS	AUTO INSERTION ASSEMBLY 機插零件底板組裝	
4	EPBMC726T00A	MCM726 TOP KEY PCB T=1.6MM 底板	
3	A600041	BARE COPPER WIRE DIA:0.5MM (LB) 錫水銅線	
3	ECACD102G0603KBTA	CHIP CAP. 1000PF50V (0603) K% Y5P 微型電容	
3	ECACD104D0603KDTA	CHIP CAP. 0.1UF16V (0603) K% Y5R 微型電容	
3	ECACR472G50ZZKBTA	CERAMIC CAP 4700PF 50V D5MM K% Y5P TAPE 陶瓷電容	
3	ECAER107D5011MATA	AL.E.CAP 100UF 16V 5X11MM M% 85C TAPE 電解電容	
3	ECAER475G5011MATA	AL.E.CAP 4.7UF 50V 5X11MM M% 85C TAPE 電解電容	
3	ECAER476G6012MATA	AL.E.CAP 47UF 50V 6X12MM M% 85C TAPE 電解電容	
3	EDDEPTX79B6V8A	DIODE BZX79-B6V8 SOD27 TAPE FORM 二極管	
3	EDDFPBIRMS502HA	INFRARED RECEIVER IRM502H-S 傳感器	
3	EFB010BTSBK160A	FERRITE BEAN SMD SBK160808T-601Y-S 小磁珠	
3	EFDVFD251228NA	VACUUM FLUORESCENT DISPLAY VFD25-1228N 螢光顯	
3	EJA111HR06PBC	6 PINS HEADER P=2.0MM 插座	
3	EJA361FD12PTK	(LEADER WISE) 12PINS FFC CONNECTOR FFC連接器	
3	EJA388FR07PBF	(JING SHI) 7PINS HEADER P=2.0MM 插座	
3	ELERBU1L0345A	LED BLUE (1L0345B22E0CB002) 發光二極管	
3	ENCDTPT6315ZZZZA	VFD DRIVER IC PT6315 L.F. 集成塊	
3	ERECD0R0010JBTA	CHIP RESISTOR 0OHM 1/10 W J% (0603) 微型電阻	
3	ERECD100K10JBTA	CHIP RESISTOR 100 KOHM 1/10 W J% (0603) 微型電阻	
3	ERECD100R10JBTA	CHIP RESISTOR 100OHM 1/10 W J% (0603) 微型電阻	
3	ERECD10K010JBTA	CHIP RESISTOR 10 KOHM 1/10 W J% (0603) 微型電阻	
3	ERECD470K10JBTA	CHIP RESISTOR 470 KOHM 1/10 W J% (0603) 微型電阻	
3	ERECR100R06JLTA	CARBON RESISTOR 100 OHM 1/6 W J% TAPE 碳膜電阻	
3	ERECR220R06JLTA	CARBON RESISTOR 220 OHM 1/6 W J% TAPE 碳膜電阻	
3	ERECR22K006JLTA	CARBON RESISTOR 22 K OHM 1/6 W J% TAPE 碳膜電阻	
3	EWRW250F04GY26LCF	4 PINS HOU'G ASSY P=2MM L=250MM UL2651 線組裝	
2	115MCM726V12D-MEH	MECHANICAL PARTS PHANTOM 五金件	
3	MRFFCMCM720EA	FELT CLOTH L:100MMXW:20MMXT:0.5MM 絨布	
3	MRFFRMCM720EA	EVA BLACK W/DOUBLE SIDE TAPE EVA 膠片	
3	MRFFRMCM726AA	EVE FOAM RUBBER 8X8X15.5MM 膠墊	
3	MTSPCMCM726CA	0.5MM PC FILTER SHEET PC濾光片	
3	PMCM51044BZZZZA	LCD BRACKET - INJ ABS LCD 支架	
3	PMCM72611AZZZZA	USB LED HOLDER -INJ ABS USB LED 支架	
3	PMCM72611BZZZZA	LED SPACER H:8 INJ NYLON 66 (UL) 94V-2 燈架	
1	115MCM726V12E-MUS	MANUAL INSERTION ASSEMBLY 手插零件底板組裝	
2	115MCM720V12E-MEH	MECHANICAL PARTS PHANTOM 五金件	

3	MMPHSMCM720AA	HEAT SINK (B) 散熱片	
3	MMPHSMCM720BA	HEAT SINK (C) 散熱片	Loc: 1-FOR IC
3	MMPBPMCM510AA	PCB BRACKET STEEL MAT'L:SECC T:0.8MM PCB 頂杆	Loc: MAIN PCB TO HEAT SINK
3	MMPSS20060BABABA	SELF-TAPPING SCREW STTB2.0X6.0 AB 自攻螺絲	Loc: 1-FOR HEAT SINK (C)
3	MMPSS20600BANAAA	SELF-TAPPING SCREW BTTB2606 NI 自攻螺絲	
3	MMPSS30080BAZACA	SELF-TAPPING SCREW BTTB3008 YELLOW ZN 自攻螺絲	
3	MMPSS30100WANAAA	SELF-TAPPING SCREW W/WASHER 自攻螺絲	Loc: 2-FOR LONG IC, 2-FOR SHORT IC
3	MRFNMC720AA	0.3MM SI RUBBER SHEET 絕緣片	Loc: 1-FOR IC
3	MTSCPAZ2060BA	CONTACT PLATE (TERMINAL) 天線接片	Loc: 1-FOR CONNECT LINE
3	MWSP02206004FAA	FIBER WASHER OD:2.2 T:0.4MM 快巴介子	Loc: 1-FOR SCREW
3	MWSP03006027NAA	NYLON 66 IC WASHER #MCM390CM 尼龙介子	Loc: 1-FOR IC
3	MWSP03306008FAA	FIBRE WASHER FOR #470 (1103-1) 快巴介子	
3	PMCM51044AZZZZA	BRACKET-MAIN PCB -INJ ABS 主PCB支架	
2	115MCM726V12E-EET	PCBA ELECTRICAL PARTS PHANTOM 底板組裝電子料	
3	115MCM726V12E-ATS	AUTO INSERTION ASSEMBLY 機插零件底板組裝	
4	EPBMC726M00A	MCM726 MAIN PCB 94V0 T=1.6MM SINGLE SIDE 底板	
3	A600041	BARE COPPER WIRE DIA:0.5MM (LB) 錫水銅線	
3	ECACD101G0603JCTA	CHIP CAP. 100PF50V (0603) J% NPO 微型电容	
3	ECACD102G0603KBTA	CHIP CAP. 1000PF50V (0603) K% Y5P 微型电容	
3	ECACD103G0603KDTA	CHIP CAP. 0.01UF50V (0603) K% Y5R 微型电容	
3	ECACD104D0603KDTA	CHIP CAP. 0.1UF16V (0603) K% Y5R 微型电容	
3	ECACD105D0603KBTA	CHIP CAP. 1UF16V (0603) K% Y5P 微型电容	
3	ECACD152G0603KBTA	CHIP CAP. 1500PF50V (0603) K% Y5P 微型电容	
3	ECACD220G0603JCTA	CHIP CAP. 22PF50V (0603) J% NPO 微型电容	
3	ECACD221G0603JCTA	CHIP CAP. 220PF50V (0603) J% NPO 微型电容	
3	ECACD222G0603KDTA	CHIP CAP. 2200PF50V (0603) K% Y5R 微型电容	
3	ECACD224D0603KBTA	CHIP CAP. 0.22UF16V (0603) K% Y5P 微型电容	
3	ECACD470G0603JCTA	CHIP CAP. 47PF50V (0603) J% NPO 微型电容	
3	ECACD472G0603KDTA	CHIP CAP. 4700PF50V (0603) K% Y5R 微型电容	
3	ECACD473D0603KDTA	CHIP CAP. 0.047UF16V (0603) K% Y5R 微型电容	
3	ECACD474D0603ZFTA	CHIP CAP. 0.47UF16V (0603) Z% Y5V 微型电容	
3	ECACD562G0603KDTA	CHIP CAP. 5600PF50V (0603) K% Y5R 微型电容	
3	ECACD681E0603JCTA	CHIP CAP. 680PF25V (0603) J% NPO 微型电容	
3	ECACD682G0603KBTA	CHIP CAP. 6800PF50V (0603) K% Y5P 微型电容	
3	ECACR104G70ZZZFTA	CERAMIC CAPACITOR 0.1UF 50V Z TAPE FORM 陶瓷电容	
3	ECAER105G5011MATA	AL.E.CAP 1UF 50V 5X11MM M% 85C TAPE 电解电容	
3	ECAER106G5011MATA	AL.E.CAP 10UF 50V 5X11MM M% 85C TAPE 电解电容	
3	ECAER107D5011MATA	AL.E.CAP 100UF 16V 5X11MM M% 85C TAPE 电解电容	
3	ECAER108D1016MABA	AL.E.CAP 1000UF 16V 10X16MM M% 85C 电解电容	
3	ECAER224G5011MATA	AL.E.CAP 0.22UF 50V 5X11MM M% 85C TAPE 电解电容	
3	ECAER225G5011MATA	AL.E.CAP 2.2UF 50V 5X11MM M% 85C TAPE 电解电容	
3	ECAER226G5011MATA	AL.E.CAP 22UF 50V 5X11MM M% 85C TAPE 电解电容	
3	ECAER227D6311MATA	AL.E.CAP 220UF 16V 6.3X11MM M% 85C TAPE 电解电容	
替代料	ECAER227D6311META	AL.E.CAP 220UF 16V 6.3X11MM M% 105C TAPE	Ref No:
3	ECAER228E1321MABA	AL.E.CAP 2200UF 25V 13X21MM M% 85C 电解电容	
3	ECAER335G5011MATA	AL.E.CAP 3.3UF 50V 5X11MM M% 85C TAPE 电解电容	
3	ECAER474G5011MATA	AL. E. CAP 0.47UF 50V 5X11MM M% 85C TAPE 电解电容	
3	ECAER476D5011MATA	AL.E.CAP 47UF 16V 5X11MM M% 85C TAPE 电解电容	
3	ECAER476E5011MATA	AL.E.CAP 47UF 25V 5X11MM M% 85C TAPE 电解电容	
3	ECAER477D8012MATA	AL.E.CAP 470UF 16V 8X12MM M% 85C TAPE 电解电容	
3	ECAER477E8016MABA	AL.E.CAP 470UF 25V 8X16MM M% 85C 电解电容	
3	ECAER478F1836MABA	ELECT. CAPACITOR 4700UF 35V 18X36MM 電解电容	
3	ECAMR224L1214KATA	MYLAR 0.22UF100V 12.5X14.5MM K% 85C TAPE 聚酯薄膜	
3	EDDEPTC79B12VA	DIODE BZX79-B12V TAPE FORM 二極管	
3	EDDEPTTC4V3ZZA	ZENER DIODE 4V3 1/2W (TC4V3) TAPE FORM 二極管	
3	EDDEPTTC6V2ZZA	ZENER DIODE 6V2 1/2W (TC6V2) 二極管	
3	EDDEPTTC7V5ZZA	ZENER DIODE 7V5 1/2W (TC7V5) 二極管	
3	EDDEPTTC9V1ZZA	ZENER DIODE 9V1 1/2W (TC9V1) 二極管	
3	EDDEPTX79B5V6A	DIODE BZX79-B5V6 SOD27 TAPE FORM 二極管	
3	EDDEPTX79B8V2A	DIODE BZX79-B8V2 SOD27 TAPE FORM 二極管	
3	EDDRPT1N4001ZA	DIODE 1N4001 TAPE FORM 二極管	
3	EDDRPT1N4003ZA	DIODE 1N4003 TAPE FORM 二極管	
3	EDDRPT1N5819ZA	DIODE 1N5819 DO-41 二極管	
3	EDDSPT1N4148ZA	DIODE 1N4148 TAPE FORM 二極管	
3	EFB010BTSBK160A	FERRITE BEAN SMD SBK160808T-601Y-S 小磁珠	
3	EJA090HR05PBA	5 PINS HEADER P:2MM 2002P0500T 插座	
3	EJA117HR08PBC	8 PINS HEADER PITCH=2.0MM 插座	
3	EJA137HR06PBC	6 PINS HEADER P=2.5MM STRAIGHT TYPE 插座	
3	EJA163HR02PBD	2 PINS HEADER P=2.0MM STRAIGHT TYPE 插座	
3	EJA244FR08PBA	8 PIN FFC SOCKET P=1.25MM 1.25-2-8P 插座	

3	EJA250FR07PBA	7P FPC CONNECTOR P=1.25MM 插座	
3	EJA251FR06PBA	6P FPC CONNECTOR P=1.25MM 插座	
3	EJA340RR8R3BA	8.3MM RCA JACK COL= WHITE/RED 插座	
3	EJA341KR04PBA	PUSH TERMINAL JACK PST-402 (LEAD FREE) 插座	
3	EJA430FR20PBJ	(TPG) FFC CONNECTOR 20PINS P=1.25MM FFC插座	
3	ENCDTHEF4069UBTA	IC HEF4069UBT SOT108-1 SMT 集成塊	
3	ENCDTHEF4094BTZA	I.C. HEF4094BT 集成塊	
3	ENCDDPT4800ZZZZA	I.C. PT4800(L) DIP-8 PIN 集成塊	
3	ENCDDTTC4052BFZZA	I.C. TC4052BF SWITCHING 集成塊	
3	ENCPBKIA7806APIA	I.C.KIA7806API-U/P TO-220IS 集成塊	
替代料	ENCPBMC7806CTZZA	I.C. MC7806CT	Ref No:
3	ENCPTLD1117AL33A	I.C. VOLTAGE REGULATOR LD1117AL-3.3V-D 集成塊	
替代料	ENCPBLD1117A33DA	I.C. VOLTAGE REGULATOR LD1117A-3.3V -DC	Ref No:
3	ENCPTTDA729615VA	IC TDA7296 MULTIWATT15V 集成塊	
3	ENDC103K02R8TA	CHOKE COIL 10UH K% 2.8X7MM 工字线圈	
3	ENDC106K06R0BA	CHOKE COIL 10MH W/PLASTIC TUBE 空芯電感	
3	ENDS30TZ5005BA	AIR COIL 0.5X5MM 30T CW (AC2412) 空芯電感	
3	ENDX471K03R0TA	AXIAL INDUCTOR 0.47UH K% D3.2MM 电阻型电感	
3	ERECD0R0010JBTA	CHIP RESISTOR 0OHM 1/10 W J% (0603) 微型电阻	
3	ERECD100K10JBTA	CHIP RESISTOR 100 KOHM 1/10 W J% (0603) 微型电阻	
3	ERECD10K010JBTA	CHIP RESISTOR 10 KOHM 1/10 W J% (0603) 微型电阻	
3	ERECD12K010JBTA	CHIP RESISTOR 12 KOHM 1/10 W J% (0603) 微型电阻	
3	ERECD150K10JBTA	CHIP RESISTOR 150 KOHM 1/10 W J% (0603) 微型电阻	
3	ERECD15K010JBTA	CHIP RESISTOR 15 KOHM 1/10 W J% (0603) 微型电阻	
3	ERECD15R010JBTA	CHIP RESISTOR 15OHM 1/10 W J% (0603) 微型电阻	
3	ERECD18K010JBTA	CHIP RESISTOR 18 KOHM 1/10 W J% (0603) 微型电阻	
3	ERECD1K0010JBTA	CHIP RESISTOR 1 KOHM 1/10 W J% (0603) 微型电阻	
3	ERECD1K2010JBTA	CHIP RESISTOR 1.2 KOHM 1/10 W J% (0603) 微型电阻	
3	ERECD1M0010JBTA	CHIP RESISTOR 1 MOHM 1/10 W J% (0603) 微型电阻	
3	ERECD220K10JBTA	CHIP RESISTOR 220 KOHM 1/10 W J% (0603) 微型电阻	
3	ERECD22K010JBTA	CHIP RESISTOR 22 KOHM 1/10 W J% (0603) 微型电阻	
3	ERECD27K010JBTA	CHIP RESISTOR 27 KOHM 1/10 W J% (0603) 微型电阻	
3	ERECD2K010JBTA	CHIP RESISTOR 2.7 KOHM 1/10 W J% (0603) 微型电阻	
3	ERECD330K10JBTA	CHIP RESISTOR 330 KOHM 1/10 W J% (0603) 微型电阻	
3	ERECD33K010JBTA	CHIP RESISTOR 33 KOHM 1/10 W J% (0603) 微型电阻	
3	ERECD39K010JBTA	CHIP RESISTOR 39 KOHM 1/10 W J% (0603) 微型电阻	
3	ERECD3K3010JBTA	CHIP RESISTOR 3.3 KOHM 1/10 W J% (0603) 微型电阻	
3	ERECD470R10JBTA	CHIP RESISTOR 470OHM 1/10 W J% (0603) 微型电阻	
3	ERECD47K010JBTA	CHIP RESISTOR 47 KOHM 1/10 W J% (0603) 微型电阻	
3	ERECD4K7010JBTA	CHIP RESISTOR 4.7 KOHM 1/10 W J% (0603) 微型电阻	
3	ERECD4R7010JBTA	CHIP RESISTOR 4.7OHM 1/10 W J% (0603) 微型电阻	
3	ERECD510R10JBTA	CHIP RESISTOR 1/10W 510 OHM (0603) 微型电阻	
3	ERECD560R10JBTA	CHIP RESISTOR 560OHM 1/10 W J% (0603) 微型电阻	
3	ERECD7K5010JBTA	CHIP RESISTOR 7.5 KOHM 1/10 W J% (0603) 微型电阻	
3	ERECD82K010JBTA	CHIP RESISTOR 82 KOHM 1/10 W J% (0603) 微型电阻	
3	ERECD8K2010JBTA	CHIP RESISTOR 8.2 KOHM 1/10 W J% (0603) 微型电阻	
3	ERECR100K06JLTA	CARBON RESISTOR 100 K OHM 1/6 W J% TAPE 碳膜电阻	
3	ERECR100R06JLTA	CARBON RESISTOR 100 OHM 1/6 W J% TAPE 碳膜电阻	
3	ERECR10K006JLTA	CARBON RESISTOR 10 K OHM 1/6 W J% TAPE 碳膜电阻	
3	ERECR10R006JLTA	CARBON RESISTOR 10 OHM 1/6 W J% TAPE 碳膜电阻	
3	ERECR150R06JLTA	CARBON RESISTOR 150 OHM 1/6 W J% TAPE 碳膜电阻	
3	ERECR15K006JLTA	CARBON RESISTOR 15 K OHM 1/6 W J% TAPE 碳膜电阻	
3	ERECR15R002JLTA	CARBON RESISTOR 15 OHM 1/2 W J% 碳膜电阻	
3	ERECR1K0006JLTA	CARBON RESISTOR 1 K OHM 1/6 W J% TAPE 碳膜电阻	
3	ERECR1K5006JLTA	CARBON RESISTOR 1.5 K OHM 1/6 W J% TAPE 碳膜电阻	
3	ERECR1K8006JLTA	CARBON RESISTOR 1.8 K OHM 1/6 W J% TAPE 碳膜电阻	
3	ERECR220R06JLTA	CARBON RESISTOR 220 OHM 1/6 W J% TAPE 碳膜电阻	
3	ERECR2K2006JLTA	CARBON RESISTOR 2.2 K OHM 1/6 W J% TAPE 碳膜电阻	
3	ERECR2K7006JLTA	CARBON RESISTOR 2.7 K OHM 1/6 W J% TAPE 碳膜电阻	
3	ERECR2R2002JLTA	CARBON RESISTOR 2.2 OHM 1/2W J% TAPE 碳膜电阻	
3	ERECR2R2006JLTA	CARBON RESISTOR 2.2 OHM 1/6 W J% TAPE 碳膜电阻	
3	ERECR390R06JLTA	CARBON RESISTOR 390 OHM 1/6 W J% TAPE 碳膜电阻	
3	ERECR3K9006JLTA	CARBON RESISTOR 3.9 K OHM 1/6 W J% TAPE 碳膜电阻	
3	ERECR470R06JLTA	CARBON RESISTOR 470 OHM 1/6 W J% TAPE 碳膜电阻	
3	ERECR47K006JLTA	CARBON RESISTOR 47 K OHM 1/6 W J% TAPE 碳膜电阻	
3	ERECR47R006JLTA	CARBON RESISTOR 47 OHM 1/6 W J% TAPE 碳膜电阻	
3	ERECR4K7006JLTA	CARBON RESISTOR 4.7 K OHM 1/6 W J% TAPE 碳膜电阻	
3	ERECR560R06JLTA	CARBON RESISTOR 560 OHM 1/6 W J% TAPE 碳膜电阻	
3	ERECR6K8006JLTA	CARBON RESISTOR 6.8 K OHM 1/6 W J% TAPE 碳膜电阻	
3	ERECR820R06JLTA	CARBON RESISTOR 820 OHM 1/6 W J% TAPE 碳膜电阻	

3	ERECR8K2006JLTA	CARBON RESISTOR 8.2 K OHM 1/6 W J% TAPE 碳膜电	
3	ETRDTC847BLA	TRANSISTOR BC847B (SMD) LEAD FREE 三極管	
替代料	ETRDTC847BZA	TRANSISTOR BC847B	Ref No:
3	ETRDTC857BLA	TRANSISTOR BC857B (SMD) LEAD FREE 三極管	
替代料	ETRDTC857BZA	TRANSISTOR BC857B	Ref No:
3	ETRPBSB1566FA	TRANSISTOR 2SB1566-F LEAD FREE 三極管	
3	ETRP2SB562CA	TRANSISTOR 2SB562C TO-92MOD 三極管	
替代料	ETRP2SB562CZA	TRANSISTOR 2SB562C TO-92NL	Ref No:
3	ETRP8050CTZA	TRANSISTOR KTC-8050C(KEC) 三極管	
3	ETRP8550DTZA	TRANSISTOR 8550D TAPE FORM 三極管	
3	ETRPBC32740A	TRANSISTOR BC327-40 TAPE FORM 三極管	
3	ETRPKTA1273A	TRANSISTOR KTA1273 TO-92L 三極管	
3	ETRPON4986ZA	TRANSISTOR ON4986 (9340-447-50126) 三極管	
3	EWRU060Z01BK26ADA	UL WIRE 60MM BLACK AWG#26 UL 线	
3	EWRU090Z01BK26ADA	UL WIRE 90MM BLACK AWG#26 (UL1007) (CP) UL 線	
3	EWRU120Z01BK26ADA	UL WIRE 120MM BLACK AWG#26 UL 线	
3	EWRW220F02AS26ACC	2P HOU'G ASSY P=2MM L=220MM 組裝線	
替代料	EWRW220F02AS26ACF	2P HOU'G ASSY P=2MM L=220MM UL-1007	Ref No:
3	EWRW230Z01BK26ADA	WIRE ASSY L=230MM BLACK AWG#26 UL1007 組裝綫	
3	EWRW250F04GY26LCV	(HING FUNG)ASSY WIRE 250MM 4P P=2.0 組裝綫	
1	115MCM726V12J-MUS	MANUAL INSERTION ASSEMBLY 手插零件底板組裝	
2	115MCM726V12J-EET	PCBA ELECTRICAL PARTS PHANTOM 底板組裝電子料	
3	115MCM726V12J-ATS	AUTO INSERTION ASSEMBLY 機插零件底板組裝	
4	EPBMCM726C00A	MCM726 C MUSIC PCB T=1.6MM 底板	
3	A600041	BARE COPPER WIRE DIA:0.5MM (LB) 錫水銅線	
3	ECACD101G0603JCTA	CHIP CAP. 100PF50V (0603) J% NPO 微型电容	
3	ECACD102G0603KBTA	CHIP CAP. 1000PF50V (0603) K% Y5P 微型电容	
3	ECACD103G0603KDTA	CHIP CAP. 0.01UF50V (0603) K% Y5R 微型电容	
3	ECACD104D0603KDTA	CHIP CAP. 0.1UF16V (0603) K% Y5R 微型电容	
3	ECACD105D0603KBTA	CHIP CAP. 1UF16V (0603) K% Y5P 微型电容	
3	ECACD220G0603JCTA	CHIP CAP. 22PF50V (0603) J% NPO 微型电容	
3	ECACD222G0603KDTA	CHIP CAP. 2200PF50V (0603) K% Y5R 微型电容	
3	ECACD223E0603KDTA	CHIP CAP. 0.022UF25V (0603) K% Y5R 微型电容	
3	ECACD225D0805ZFTA	CHIP CAP. 2.2UF 16V (0805) Z% Y5V 微型电容	
替代料	ECACD225E0805ZFTA	CHIP CAP. 2.2UF25V (0805) Z% Y5V	Ref No:
3	ECACD330G0603JCTA	CHIP CAP. 33PF50V (0603) J% NPO 微型电容	
3	ECACD331G0603JCTA	CHIP CAP. 330PF50V (0603) J% NPO 微型电容	
3	ECACD471G0603JCTA	CHIP CAP. 470PF50V (0603) J% NPO 微型电容	
3	ECACD472G0603KDTA	CHIP CAP. 4700PF50V (0603) K% Y5R 微型电容	
3	ECACD561G0603JCTA	CHIP CAP. 560PF50V (0603) J% NPO 微型电容	
3	ECACD682G0603KBTA	CHIP CAP. 6800PF50V (0603) K% Y5P 微型电容	
3	ECAER106D5011MATA	AL.E.CAP 10UF 16V 5X11MM M% 85C TAPE 电解电容	
3	ECAER107D5011MATA	AL.E.CAP 100UF 16V 5X11MM M% 85C TAPE 电解电容	
3	ECAER108D1016MABA	AL.E.CAP 1000UF 16V 10X16MM M% 85C 电解电容	
3	ECAER226D5011MATA	AL.E.CAP 22UF 16V 5X11MM M% 85C TAPE 电解电容	
3	ECAER226D5011MATJ	(J-J) AL.E.CAP 22UF 16V 5X11MM M% 85C 电解电容	
3	ECAER227D6012MATA	AL.E.CAP 220UF 16V 6X12MM M% 85C TAPE 电解电容	
3	ECAER476D5011META	AL.E.CAP 47UF 16V 5X11MM M% 105C TAPE 电解电容	
3	ECAER476G6012MATA	AL.E.CAP 47UF 50V 6X12MM M% 85C TAPE 电解电容	
3	ECRR14M318A20FBA	CRYSTAL 14.318MHZ 20PF +/-20PPM HC-49/S 晶體	
3	ECRR32K768A10DBA	CRYSTAL 32.768KHZ 12.5PF +/-10 PPM 晶體	
3	ECRR4M3320A20FBA	CRYSTAL 4.332MHZ HC-49/S LEAD FREE 晶體	
3	ECRR8M4672A30FBA	CRYSTAL 8.4672 MHZ 20PF+-30PPM 11X3.5MM 晶體	
3	EDDEPTTC2V7ZZA	ZENER DIODE 2V7 1/2W (TC2V7) 二極管	
3	EDDEPTTC3V9ZZA	ZENER DIODE 3V9 1/2W (TC3V9) 二極管	
3	EDDEPTTC5V1ZZA	ZENER DIODE 5V1 1/2W (TC5V1) TAPE FORM 二極管	
3	EDDEPTTC9V1ZZA	ZENER DIODE 9V1 1/2W (TC9V1) 二極管	
3	EDDSDT1N4148ZA	DIODE 1N4148 (SMD) FDLL4148 二極管	
3	EDDSDT1N4148ZA	DIODE 1N4148 TAPE FORM 二極管	
3	EFB010BTSBK160A	FERRITE BEAN SMD SBK160808T-601Y-S 小磁珠	
3	EJA112HR06PBC	6 PINS HEADER P=2.0MM 插座	
3	EJA250FR07PBA	7P FPC CONNECTOR P=1.25MM 插座	
3	EJA251FR06PBA	6P FPC CONNECTOR P=1.25MM 插座	
3	EJA338HR05PBF	5PINS HEADER P:2MM STRAIGHT TYPE 插座	
3	EJA366FR12PBR	12P FFC CONNECTOR P=1MM VERTICAL TYPE FFC插座	
3	EJA374HR04PBD	(TANG HAN) 4 PINS HEADER P=2.0MM 插座	
3	EJA376FR16PBJ	16P FFC SOCKET P=1.0MM (ANGLE TYPE) 插座	
3	EJA431FR20PBJ	(TPG) FFC CONNECTOR 20PINS P=1.25MM FFC插座	
3	ENCAPAA7838HN3ZA	IC PROGRAMMED FOR MCM726 已寫碼集成塊	
4	ENCDPAA7838HN3A	PHILIPS C MUSIC PLUS IC SAA7838H/N3,112 集成塊	

3	ENCAPE27LC512ZZA	IC EPROM FOR (MCM720) ICE27C512-70 已寫碼集成塊	
替代料	ENCAPCE27LC512ZZA	IC EPROM ICE27C512-70 PCW FOR (MCM720)	Ref No:
4	ENCDCRCE27LC512ZZA	IC EPROM ICE27C512-70 PCG PLCC-32 PINS 集成塊	
3	ENCDDROT16888ZZZA	IC OT16888-G LQFP-64 集成塊	
3	ENCDT74HC02DBZZA	I.C. 74HC02DB SSOP14 集成塊	
3	ENCDT74HC4094DBA	I.C. 74HC4094DB SSOP16 集成塊	
3	ENCDT74HC4520DBA	I.C. 74HC4520DB SSOP16 集成塊	
3	ENCDTD6208ZZZZZA	I.C. D6208 SOP8 集成塊	
3	ENCDTD9258PHZZZA	I.C. D9258PH (LEAD FREE) 集成塊	
3	ENCDTM24C01RDW6A	I.C. M24C01-RDW6T 集成塊	
3	ENCDTSA6581TZZA	RDS IC SAA6581T/V1 SOT162-1 集成塊	
3	ENDX333K02R5TA	FIXED INDUCTOR 33UH-K CECS-330K (TAPE) 電感	
3	ERECD0R0004JDTA	CHIP RESISTOR 00HM 1/4 W J% (1206) 微型电阻	
3	ERECD0R0010JBTA	CHIP RESISTOR 00HM 1/10 W J% (0603) 微型电阻	
3	ERECD100K10JBTA	CHIP RESISTOR 100 KOHM 1/10 W J% (0603) 微型电阻	
3	ERECD100R10JBTA	CHIP RESISTOR 100OHM 1/10 W J% (0603) 微型电阻	
3	ERECD10K010JBTA	CHIP RESISTOR 10 KOHM 1/10 W J% (0603) 微型电阻	
3	ERECD10R010JBTA	CHIP RESISTOR 10OHM 1/10 W J% (0603) 微型电阻	
3	ERECD15K010JBTA	CHIP RESISTOR 15 KOHM 1/10 W J% (0603) 微型电阻	
3	ERECD1K0010JBTA	CHIP RESISTOR 1 KOHM 1/10 W J% (0603) 微型电阻	
3	ERECD1K5010JBTA	CHIP RESISTOR 1.5 KOHM 1/10 W J% (0603) 微型电阻	
3	ERECD1M0010JBTA	CHIP RESISTOR 1 MOHM 1/10 W J% (0603) 微型电阻	
3	ERECD220K10JBTA	CHIP RESISTOR 220 KOHM 1/10 W J% (0603) 微型电阻	
3	ERECD220R10JBTA	CHIP RESISTOR 220OHM 1/10 W J% (0603) 微型电阻	
3	ERECD22K010JBTA	CHIP RESISTOR 22 KOHM 1/10 W J% (0603) 微型电阻	
3	ERECD2K2010JBTA	CHIP RESISTOR 2.2 KOHM 1/10 W J% (0603) 微型电阻	
3	ERECD2K7010JBTA	CHIP RESISTOR 2.7 KOHM 1/10 W J% (0603) 微型电阻	
3	ERECD33K010JBTA	CHIP RESISTOR 33 KOHM 1/10 W J% (0603) 微型电阻	
3	ERECD390R10JBTA	CHIP RESISTOR 390OHM 1/10 W J% (0603) 微型电阻	
3	ERECD3K3010JBTA	CHIP RESISTOR 3.3 KOHM 1/10 W J% (0603) 微型电阻	
3	ERECD3R9010JBTA	CHIP RESISTOR 3.9OHM 1/10 W J% (0603) 微型电阻	
3	ERECD470R10JBTA	CHIP RESISTOR 470OHM 1/10 W J% (0603) 微型电阻	
3	ERECD47K010JBTA	CHIP RESISTOR 47 KOHM 1/10 W J% (0603) 微型电阻	
3	ERECD4K7010JBTA	CHIP RESISTOR 4.7 KOHM 1/10 W J% (0603) 微型电阻	
3	ERECD560R10JBTA	CHIP RESISTOR 560OHM 1/10 W J% (0603) 微型电阻	
3	ERECD56K010JBTA	CHIP RESISTOR 56 KOHM 1/10 W J% (0603) 微型电阻	
3	ERECD5K1010JBTA	CHIP RESISTOR 5.1 KOHM 1/10 W J% (0603) 微型电阻	
3	ERECD680R10JBTA	CHIP RESISTOR 680OHM 1/10 W J% (0603) 微型电阻	
3	ERECD68K010JBTA	CHIP RESISTOR 68 KOHM 1/10 W J% (0603) 微型电阻	
3	ERECD100R06JLTA	CARBON RESISTOR 100 OHM 1/6 W J% TAPE 碳膜电阻	
3	ERECD10K006JLTA	CARBON RESISTOR 10 K OHM 1/6 W J% TAPE 碳膜电阻	
3	ERECD10R006JLTA	CARBON RESISTOR 10 OHM 1/6 W J% TAPE 碳膜电阻	
3	ERECD11K006JLTA	CARBON RESISTOR 11 KOHM 1/6 W J% TAPE 碳膜电阻	
3	ERECD15K006JLTA	CARBON RESISTOR 15 K OHM 1/6 W J% TAPE 碳膜电阻	
3	ERECD1K0006JLTA	CARBON RESISTOR 1 K OHM 1/6 W J% TAPE 碳膜电阻	
3	ERECD1K2006JLTA	CARBON RESISTOR 1.2 K OHM 1/6 W J% TAPE 碳膜电	
3	ERECD220R06JLTA	CARBON RESISTOR 220 OHM 1/6 W J% TAPE 碳膜电阻	
3	ERECD22K006JLTA	CARBON RESISTOR 22 K OHM 1/6 W J% TAPE 碳膜电阻	
3	ERECD22R004JLTA	CARBON RESISTOR 22 OHM 1/4 W J% 碳膜电阻	
3	ERECD22R006JLTA	CARBON RESISTOR 22 OHM 1/6 W J% TAPE 碳膜电阻	
3	ERECD2K2006JLTA	CARBON RESISTOR 2.2 K OHM 1/6 W J% TAPE 碳膜电	
3	ERECD2R2006JLTA	CARBON RESISTOR 2.2 OHM 1/6 W J% TAPE 碳膜电阻	
3	ERECD330R06JLTA	CARBON RESISTOR 330 OHM 1/6 W J% TAPE 碳膜电阻	
3	ERECD33K006JLTA	CARBON RESISTOR 33 K OHM 1/6 W J% TAPE 碳膜电阻	
3	ERECD39K006JLTA	CARBON RESISTOR 39 K OHM 1/6 W J% TAPE 碳膜电	
3	ERECD470R06JLTA	CARBON RESISTOR 470 OHM 1/6 W J% TAPE 碳膜电阻	
3	ERECD4K7006JLTA	CARBON RESISTOR 4.7 K OHM 1/6 W J% TAPE 碳膜电	
3	ERECD4R7006JLTA	CARBON RESISTOR 4.7 OHM 1/6 W J% TAPE 碳膜电阻	
3	ERECD56R006JLTA	CARBON RESISTOR 56 OHM 1/6 W J% TAPE 碳膜电阻	
3	ERECD6K8006JLTA	CARBON RESISTOR 6.8 K OHM 1/6 W J% TAPE 碳膜电	
3	ETRDTBC847BLA	TRANSISTOR BC847B (SMD) LEAD FREE 三極管	
3	ETRDTBC857BLA	TRANSISTOR BC857B (SMD) LEAD FREE 三極管	
3	ETRDTBST50ZZA	TRANSISTOR BST50 (SMD) LEAD FREE 三極管	
3	ETRPT805OCTZA	TRANSISTOR KTC-8050C(KEC) 三極管	
3	ETRPTKTA1273A	TRANSISTOR KTA1273 TO-92L 三極管	
3	EWRU120Z01BN26ADA	UL WIRE 120MM BROWN AWG#26 UL 线	
3	EWRU280Z01BK22ADA	UL WIRE 280MM BLACK AWG#22 UL 线	
3	EWRW160F06GY26LCV	(HING FUNG)ASSY WIRE 160MM 6P P=2.0 組裝線	
3	EWRW250F05GY26LCV	(HING FUNG)ASSY WIRE 250MM 5P P=2.0 組裝線	
2	115MCM726V12J-MEH	MECHANICAL PARTS PHANTOM 五金件	
1	115MCM726V12K-MUS	MANUAL INSERTION ASSEMBLY 手插零件底板組裝	

2	115MCM726V12K-EET	PCBA ELECTRICAL PARTS PHANTOM 底板組裝電子料	
3	115MCM726V12K-ATS	AUTO INSERTION ASSEMBLY 機插零件底板組裝	
4	EPBMC726K00A	MCM726 KEY PCB T=1.6MM 94V0 SINGLE SIDE 底板	
3	ECACD102G0603KBTA	CHIP CAP. 1000PF50V (0603) K% Y5P 微型電容	
3	ECACD103G0603KDDTA	CHIP CAP. 0.01UF50V (0603) K% Y5R 微型電容	
3	EEN015EC12110A	ENCODER EC121102F2B-HA1-009 (FOR MCM726) 編碼器	
3	ERECD10K010JBTA	CHIP RESISTOR 10 KOHM 1/10 W J% (0603) 微型電阻	
3	ERECD1K0010JBTA	CHIP RESISTOR 1 KOHM 1/10 W J% (0603) 微型電阻	
3	ERECD1K5010JBTA	CHIP RESISTOR 1.5 KOHM 1/10 W J% (0603) 微型電阻	
3	ERECD270R10JBTA	CHIP RESISTOR 270OHM 1/10 W J% (0603) 微型電阻	
3	ERECD2K2010JBTA	CHIP RESISTOR 2.2 KOHM 1/10 W J% (0603) 微型電阻	
3	ERECD330R10JBTA	CHIP RESISTOR 330OHM 1/10 W J% (0603) 微型電阻	
3	ERECD430R10JBTA	CHIP RESISTOR 430 OHM 1/10 W J% (0603) 微型電阻	
3	ERECD470R10JBTA	CHIP RESISTOR 470OHM 1/10 W J% (0603) 微型電阻	
3	ERECD4K7010JBTA	CHIP RESISTOR 4.7 KOHM 1/10 W J% (0603) 微型電阻	
3	ERECD680R10JBTA	CHIP RESISTOR 680OHM 1/10 W J% (0603) 微型電阻	
3	ESWTPA0650011A	TACT SWITCH TSA-065001-150 輕觸開關	
3	EWRW100F07GY26LCV	(HING FUNG) ASSY WIRE 7P 100MM 組裝線	
2	115MCM726V12K-MEH	MECHANICAL PARTS PHANTOM 五金件	
1	115MCM726V12L-MUS	MANUAL INSERTION ASSEMBLY 手插零件底板組裝	
2	115MCM720V12L-EET	PCBA ELECTRICAL PARTS PHANTOM 底板組裝電子料	
3	115MCM720V12L-ATS	AUTO INSERTION ASSEMBLY 機插零件底板組裝	
4	EPBMC720D00A	MCM720 USB JACK PCB T:1.6MM 94V0 底板	
3	A600041	BARE COPPER WIRE DIA:0.5MM (LB) 錫水銅線	
3	EFB010BTSBK160A	FERRITE BEAN SMD SBK160808T-601Y-S 小磁珠	
3	EJA111HR06PBC	6 PINS HEADER P=2.0MM 插座	
3	EJA378UR04PBR	(SUO YANG) USB CONNECTOR FOR MCM515 USB USB插	
3	ERECD0R0010JBTA	CHIP RESISTOR 0OHM 1/10 W J% (0603) 微型電阻	
2	115MCM726V12L-MEH	MECHANICAL PARTS PHANTOM 五金件	
1	MCM726/12-ECG	ENCASING PARTS 裝配物料	
2	A300047	DOUBLE SIDE TAPE W:4MM (NITTO 500) 雙面膠紙	
2	A300049	DOUBLE SIDE TAPE W:10MM (EP) 雙面膠紙	
2	A600035	CABLE TIE 3 IN (PC) 扎帶	
2	A600300	NYLON CABLE TIE 200MM 扎帶	
2	MMPMFMC510AA	METAL BOTTOM BASE #MCM510 底壳	
2	MMPMPMCM510AA	METAL PLATE RIGHT 右屏蔽片	
2	MMPMPMCM510BA	METAL PLATE LEFT 左屏蔽片	
2	MMPMPMCM720AA	0.3MM SI METAL SHIELDING PLATE 矽銅片	
2	MMPPBMC726AA	TOP BRACKET STEEL LEFT MAT'L 頂支架左	
2	MMPPBMC726BA	TOP BRACKET STEEL RIGHT MAT'L 頂支架右	
2	MMPSS20080BANAAA	SELF-TAPPING SCREW BTTB2.0X8.0 NI 自攻螺絲	
2	MMPSS23050BANAAA	SELF-TAPPING SCREW PTTB2305 NI 自攻螺絲	
2	MMPSS26080BANAAA	SELF-TAPPING SCREW PTTB2608 NI 自攻螺絲	
2	MMPSS26100WANAAA	SELF-TAPPING SCREW BTTN2610 自攻螺絲	
2	MMPSS26120WAZABA	SELF-TAPPING SCREW BTTN 2.6X12.0 自攻螺絲	
2	MMPSS26140BABAAA	SELF-TAPPING SCREW PTTB 2.6X14 BK 自攻螺絲	
2	MMPSS30060BAZABA	SELF-TAPPING SCREW FOR METAL 自攻螺絲	
2	MMPSS30060WANAAA	SELF-TAPPING SCREW W/WASHER 自攻螺絲	
2	MMPSS30080BABAAA	SELF-TAPPING SCREW STTB3008 BLACK ZN 自攻螺絲	
2	MMPSS30080PANAEA	SELF-TAPPING SCREW PTTB3008 NI 自攻螺絲	
2	MMPSS30100BABAAA	SELF-TAPPING SCREW PTTB3010 BK ZN 自攻螺絲	
2	MMPSS30100BABABA	SELF-TAPPING SCREW STTB3010 BLACK ZN 自攻螺絲	
2	MMPSS30280BABAAA	SELF-TAPPING SCREW PTTB 3.0X28.0 BK 自攻螺絲	
2	MMPSTMCM515AA	STEEL PLATE FOR BOTTOM MAT'L:SECC 變壓器底片	
2	MMPSTMCM726AA	STEEL PLATE FOR USB MAT'L:SECC T:1.0M USB铁片	
2	MMSCSMCM726AA	CASSETTE DOOR SPRING 卡門彈簧	
2	MMSFAZ3830AA	CD SPRING DIM:0.5MM 彈簧	
2	MMSFAZ3830BA	CD SPRING DIM:0.6MM 彈簧	
2	MMSSSMCM390AA	SWITCH SPRING FOR PUSH LOCK SUS304 開關彈簧	
2	MRFDAZ3830AA	CD DAMPER PINK COLOR 658F HARDNESS 40JIS 穩定膠	
2	MRFEVMCM510BA	EVA FOAM RUBBER 8x8x12MM 膠墊	
2	MRFFCMCM720CA	FELT CLOTH BLACK 27X6XT=0.5MM 不織布	
2	MRFFCMCM720DA	FELT CLOTH BLACK 60X4XT=0.5MM 不織布	
2	MRFFRMCM720BA	FOAM RUBBER 30X13X T=22MM 膠墊	
2	MRFRF110110AA	RUBBER FOOT 11x11x6mm 膠墊	
2	MRFRUMCM720AA	USB RUBBER COVER INJ RUBBER USB 蓋	
2	MTSPCMCM720AA	0.5MM TRANSPARENCY PC PC片	
2	MTSPCMCM726AA	0.5MM PC PC片	
2	MTSPCMCM726BA	0.2MM TRANSPARENCY PC R 右PC片	
2	MWSP03309005FAA	FIBER WASHER OD:9 ID:3.3 T:0.5MM FIBER介子	

2	MWSP03309005MAA	METALR PLAIN WASHER OD:9 ID:3.3 金屬介子	
2	MWSP03310010FAA	FIBER WASHER OD:10 ID:3.3 T:1MM 快巴介子	
2	MWSS03305507MAA	SPRING WASHER OD:5.5 ID:3.3 T:0.7 彈弓介子	
2	PMCM39009AZZZA	CD DOOR GEAR HOLDER INJ. BLACK (PL) CD齒輪支架	
3	PRAW-ABS009	RAW MATERIAL FOR PLASTIC PART CUSTOM 塑膠原材料 (用作報關)	
2	PMCM39044BZZZA	BRACKET CASSETTE PCB INJ. HIPS 底板支柱	
2	PMCM39044GZZZA	BRACKET PUSH LOCK INJ. ABS (MC160) 卡門開關支架	
2	PMCM39048ZZZZA	PUSH LOCK FOR CASS. DOOR INJ. ABS 卡門開關	
2	PMCM51009ZZZZA	POWER CORD HOLDER -INJ ABS 線座	
2	PMCM51019AZZZA	MOUNTING PLATE -INJ ABS 壓線片	
2	PMCM51019BZZZA	CIRCLE MOUNTING PLATE -INJ ABS 圓形壓線片	
2	PMCM51044EZZZA	BRACKET - CASSETTE DOOR- INJ ABS+GF10% 卡門支架	
2	PMCM72011BZZZA	HEAT SINK BRACKET- INJ PP 散熱片支架	
3	PRAW-PP2003	RAW MATERIAL FOR PLASTIC PART CUSTOM 塑膠原材料 (用作報關)	
2	PMCM72070AZZZA	USB LIGHT GUIDE-INJ TRANSPARENT ABS USB導光支架	
2	PMCM72601AZZSZA	FRONT CABINET-INJ HIPS SPRAY 前殼	
2	PMCM72601BZZZA	TOP CABINET -INJ HIPS SPRAY PAINT SILVER 頂殼	
2	PMCM72601LZZZA	LEFT CABINET- INJ HIPS 左壳	
2	PMCM72601RZZZA	RIGHT CABINET -INJ HIPS 右壳	
2	PMCM72602ZZZZA	REAR CABINET -INJ HIPS (T1&T2) 后壳	
2	PMCM72605ZZSZA	VOLUME KNOB-INJ ABS & CHROME PLATING 音量鈕	
2	PMCM72607ZZSZA	POWER KEY - INJ ABS 電源鈕	
2	PMCM72608AZZSZA	MODE KEY CLUSTER BUTTONS -INJ ABS MODE 鈕組	
2	PMCM72608BZZSZA	CD CONTROL KEY CLUSTER BUTTONS- INJ ABS CD 控 制鈕組	
2	PMCM72608CZZSZA	TOP KEY CLUSTER BUTTONS -INJ ABS 頂鈕組	
2	PMCM72617AZZZA	POWER LENS - INJ PMMA 電源指示燈	
2	PMCM72617CZZZA	DISPLAY LENS -INJ PMMA 顯示鏡	
2	PMCM72618ZZSZA	CONTROL PANEL - INJ ABS & CHORME PLATING 面板	
2	PMCM72625AZZSZA	CD DOOR -INJ HIPS SPRAY PAINT CD門	
2	PMCM72625BZZSZA	CASSETTE DOOR -INJ ABS & SPRAY 卡門	
2	PMCM72630AZZSZA	DECORATION STRIP RIGHT -INJ ABS & SILVER 修飾條右	
2	PMCM72630BZZSZA	DECORATION STRIP LEFT -INJ ABS & SILVER 修飾條左	
2	PMCM72644AZZZA	BRACKET -TOP BUTTON - INJ ABS 頂鈕支架	
2	PMCM72644BZZZA	BRACKET-FRONT CABINET DISPLAY-INJ HIPS 顯示PCB支	
2	PMCM72644CZZZA	BRACKET CD DOOR -INJ HIPS SPRAY PAINT CD門支架	
2	PMCM72659ZZZZA	CD TRAY - INJ HIPS CD支架	
2	PZAZ10138ZZZZA	CASSETTE DOOR DAMPING GEAR 卡門齒輪	
3	PRAW-ABS009	RAW MATERIAL FOR PLASTIC PART CUSTOM 塑膠原材料 (用作報關)	
1	MCM726/12-ELT	ELECTRICAL PARTS PHANTOM 電子件	
2	ECDDA11VFZZA	CD MECHANISM DA11VF (LEAD FREE)(SANYO) CD機芯	
2	ECDWXD8210ZA	CD TRAY LOADER CD機芯	
2	ECMW991S390A	SINGLE CASS DECK MECHANISM W991S- 卡式機芯	
2	ECW083CBKA	6 FEET VDE APPRROVED POWER CORD 電源線	
2	EDFMCM510AA	DC BRUSHLESS FAN JD6025MS11150W0 風扇	
2	EFC007251015A	FERRITE CORE T25X10X15 (TC12933) 磁珠	
2	EMA011AA	FERRITE MAGNET RING 27X17X4MM 磁鐵	
2	ERECR18R006JLTA	CARBON RESISTOR 18 OHM 1/6 W J% TAPE 碳膜電阻	
2	EWRM100A16WT035AA	FFC CABLE 100MM P=1.0MM 16P WHITE T=0.035 TYPE A FFC 排線	
2	EWRM120B06WT100BC	6P FFC CABLE L=120MM P=1.25MM FFC排線	
替代料	EWRM120B06WT100BF	6P FFC CABLE L=120MM P=1.25MM	Ref No:
2	EWRM160B20WT100AC	(SHS) 20 PINS FFC CABLE TYPE A FFC排線	
替代料	EWRM160B20WT100AQ	(HE HUI) 20 PINS FFC CABLE TYPE A	Ref No:
2	EWRM180A12WT035AC	(SHS) FFC CABLE 12PINS L=180MM P=1.0 FFC排線	
替代料	EWRM180A12WT035AQ	(HE HUI)FFC CABLE 12PINS L=180MM P=1.0	Ref No:
2	EWRM180B07WT100BC	FFC CABLE 180MM P=1.25MM 7P WHITE T=0.1 TYPE B FFC 排線	
2	EWRM190B08WT100BC	(SHS) 8PINS FFC CABLE L=190MM P=1.25MM FFC排線	
2	EWRW130F05AS28LHD	(TANG HAN) ASS'Y WIRE 5P L=130MM P=2.0 組裝線	
2	EWRW200F06AS28KHf	(JING SHI)ASSY WIRE SHIELDING 6PINS 組裝線	
替代料	EWRW200F06AS28KHQ	(HE HUI)ASSY WIRE SHIELDING 6PINS	Ref No:
2	EWRW230Z01BK22ADA	WIRE ASSY L=230MM BLACK AWG#22 組裝線	
2	EXF142C242A8V76A	TRANSFORMER EI-76 230V 50HZ 變壓器	
1	MCM726/12-PAK	PACKING PARTS 包裝物料	
2	KBOGMCM726V12AA	GIFT BOX FOR #MCM726/12 彩盒 (B2B)	
2	KFUAMCM726V12AA	QUICK START GUIDE A 附加說明書	

2	KFUAMCM726V12BA	QUICK START GUIDE B 附加說明書	
2	KFUAMCM726V12CA	QUICK START GUIDE C 附加說明書	
2	KFUNMCM726V12AA	INSTRUCTION SHEET A #MCM726/12 說明書	
2	KFUNMCM726V12BA	INSTRUCTION SHEET B #MCM726/12 說明書	
2	KFUWAX2400V85CA	GUARANTEE BOOKLET 保證書	
2	KGLCLWAZ2060AA	CD TRAY LASER WARNING LABEL CD盤鐳射警告貼紙	
2	KGLCZLAZ3300AA	CZECH LABEL FOR #3300 CZECH貼紙	
2	KGLHUNA23300AA	HUNGARY LABEL FOR #3300 HUNGARY貼紙	
2	KGLLWLAZ2060AA	CZECH LASER WARNING LABEL #AZ2060 捷克鐳射警告貼	
2	KGLPHI046012DA	PHILIPS LABEL 46x12MM 飛利浦貼紙	
2	KGLPOLAZ101ZAA	POLAND LABEL FOR #AZ101 POLAND貼紙	
2	KGLQCL013000AA	Q.C. PASSED LABEL DIA. 1/2 IN QC貼紙	
2	KGLSLOMCM510AA	SLOVAK LABEL FOR #MCM510 SLOVAK LABEL貼紙	
2	KGLWHT064021AA	BLANK LABEL WHITE 64 X 21 MM 白貼紙	
2	KMLGMCM726V12AA	GIFT BOX LABEL (MADE IN CHINA) 彩盒貼紙	
2	KMLMMCM726V12AA	MODEL NO. LABEL (MADE IN CHINA) 機型貼紙	
2	KPBPL064127NAA	POLYBAG 2 1/2 X 5 IN (PE04) 膠袋	
2	KPBPL114278NAA	POLYBAG 114X278MM (PE04) FOR AC 膠袋	
2	KPBPL155203NAA	POLYBAG 155X203MM (PE04) FOR AM 膠袋	
2	KPBPL203305NAA	POLYBAG 203X305MM (PE04) FOR I/B 膠袋	
2	KPBPL580450HAA	POLYBAG 580X450MM (PE04) THK=0.04MM 膠袋	
2	KPBPS1M2045RBA	POLY STRIP L1200XW45XTHK.0.04MM 膠帶	
2	KPTPMCM726V12AA	POLYFORM LEFT FOR MAIN UNIT 左發泡膠(成品機用)	
2	KPTPMCM726V12BA	POLYFORM RIGHT FOR MAIN UNIT 右發泡膠(成品機用)	
2	MWDWBMCM726AA	WOODEN SPEAKER (LEFT+RIGHT) ONE SET 音箱	
1	MCM726/12-PEL	PACKING ELECTRICAL PARTS PHANTOM 包裝電子件	
2	ERCMMCM726PHIAA	REMOTE CONTROL FOR #MCM726 遙控器	
2	EWRW1M0Z01BK26ACC	PIG TAIL ANTENNA WIRE BLACK FOR#390 豬尾天線	
2	PZMC15010ZZZZCA	AM LOOP FRAME ASSY INJ. BLACK 天線環	